

EDUCIRO

WALLBOT

Learning STEM is Child's Play!

Remote Control
Building
Playing
Inventor
Robot

6+

B886

471PCS

13 Colored Bricks



Instruction

WARNING:
CHOKING HAZARD - small parts.
Not for children under 3 years.

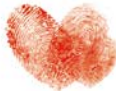
Thank you for choosing EDUCIRO

The Wallbot Robot Building Kit suitable for 8-12 year old boys girls, and it can be remote control and programming by remote and app which is easy to use in IOS and Android Systems.

EDUCIRO strives toward higher than required standards to ensure that we not only meet the acceptable limits of compliance, but more often exceed them. We tests every product to ensure **100%** compliance with the entire Consumer Product Safety Improvement Act(CPSIA), American Society of Testing Materials (ASTM), Children's Product Certificate (CPC), EN71, CCC, and manufactured under licences of BSCI, ISO 9001.

STEM education is a multi-discipline approach to teaching that combines science, technology, engineering and math. Currently, most countries have increased their support for STEM education from primary school to university to encourage discussions and problem-solving skills, develop both practical skills and appreciation for collaborations. Our R&D team has been developing MOC building blocks for those who are interested in STEM learning. If you are one of the STEM learners, we would appreciate your further suggestions at support@educiro.com.

EDUCIRO,
a story of toys,
and children.



EDUCIRO

Certification:



Share your photos and video with us by posting with@cicrotoys or #cicrotoys

Official Website: www.educiro.com

Our services at: Support@educiro.com
Find building instructions online.
Let us know if a brick has broken.
Tell us if something is missing from your new set.

How to Service?
Tell us by theme (Wallbot Robot) Or set number (Educiro B886) and you'll get instruction manuals and customer service for new sets.





Searching “EDUCIRO” shows all the products and discounts

BIGGEST OFFER
EVERYDAY
UP TO 50%
DISCOUNT

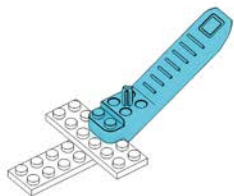


...

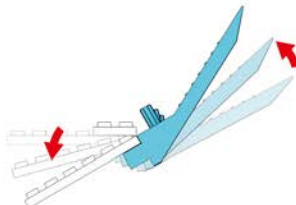
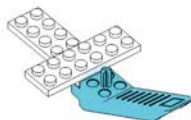
Brick Separator Guide

...

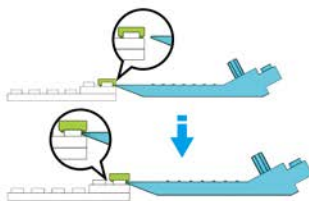
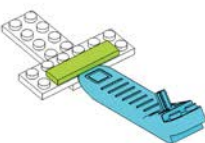
1



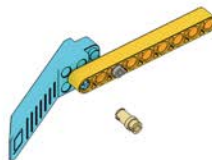
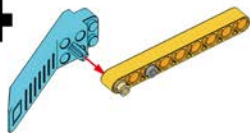
2



3

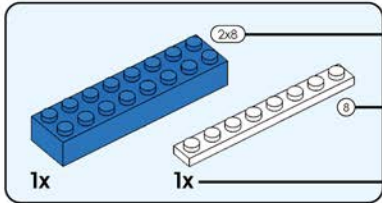


4





Quick Start Guide



2*8 shows that the width of the part is 2 block particles and the length is 8 block particles.

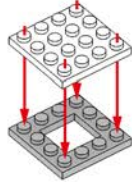
8 means that the length is 8 block particles.

The number of parts required for this step.

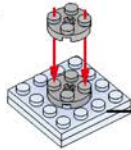
XX

Build in numerical order.

01



02



The assembled bricks are shown in light color.



Turn over



Be Careful!



Sticker

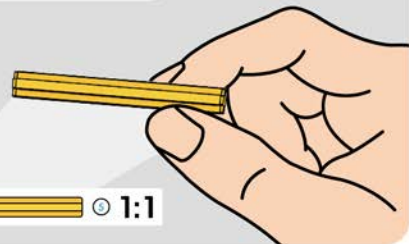


Hard!
Need adult assistance to complete.



Indicates that the building block needs to apply the corresponding direction force.

1:1 Label Length Comparison



1:1

Building Suggestion
and After-Sales Service

Unpack
according to the
order of building
block bags



1

Sort by part
color or shape



2

Sort the parts
according to the
instructions



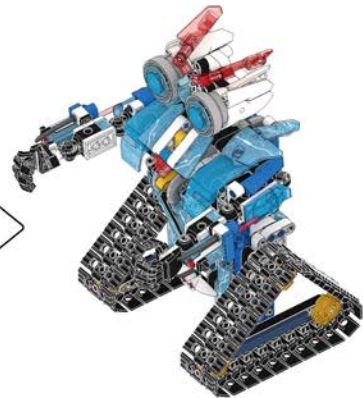
3



1. Get instructions PLUS.
2. Get building video.
3. More products.
4. Give us your short feedback about our products.

... This set contains the following brick bags ...

Use the parts in the corresponding numbered building block bag to spell out the modules in the picture.



CONTENTS

Part 1.....

1

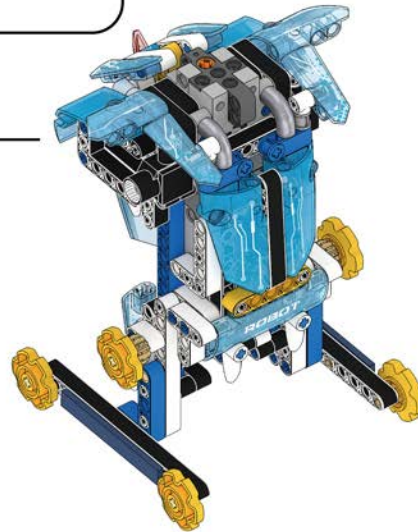
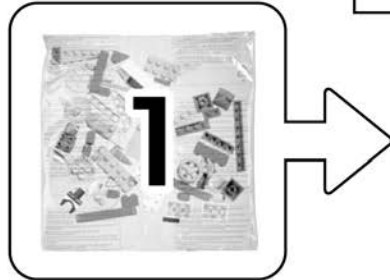
Part 2.....

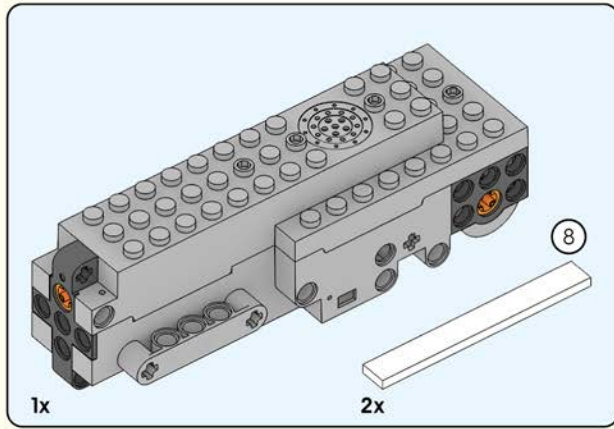
32

Part List.....

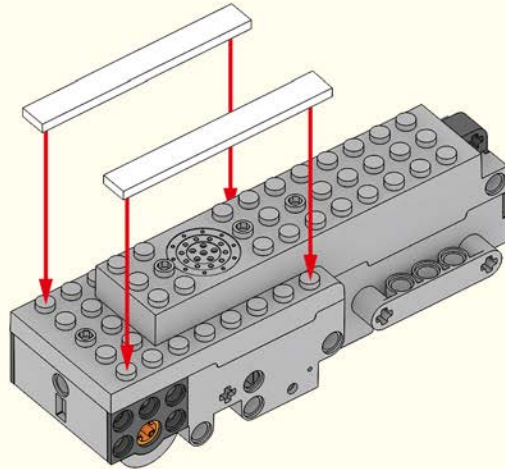
60

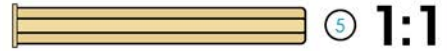
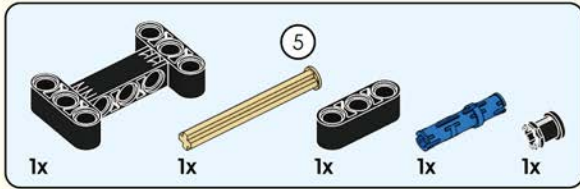
Completed drawing
of bag No. 1



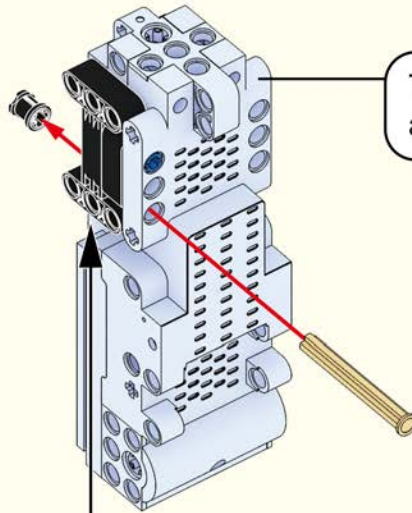


| 01 |

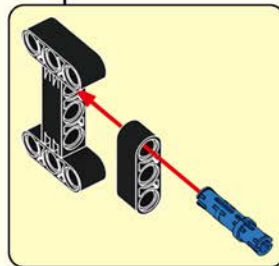




| 02 |



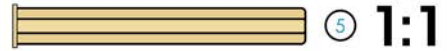
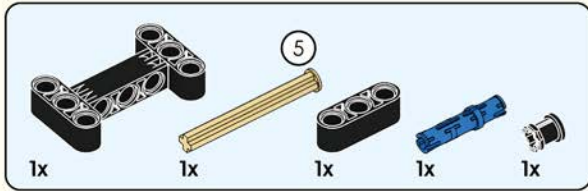
The assembled bricks are shown in light color.



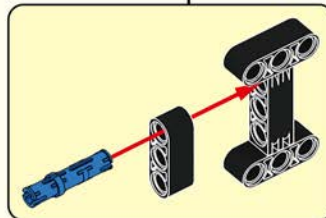
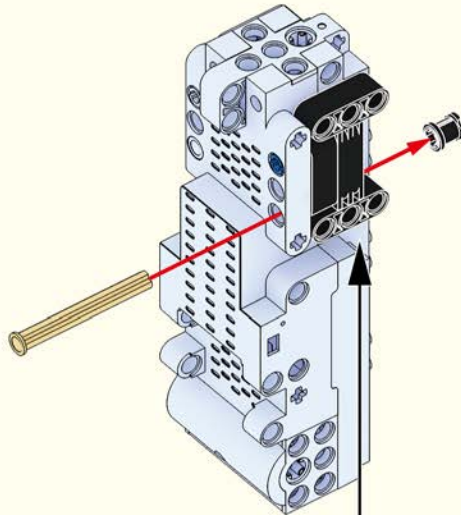
03

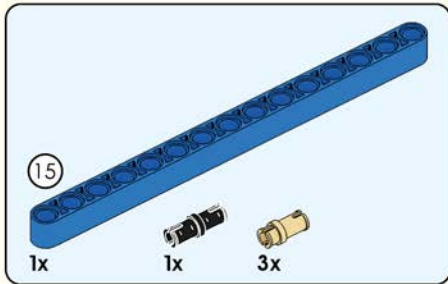
| ONLINE www.educiro.com

| Customer Service support@educiro.com

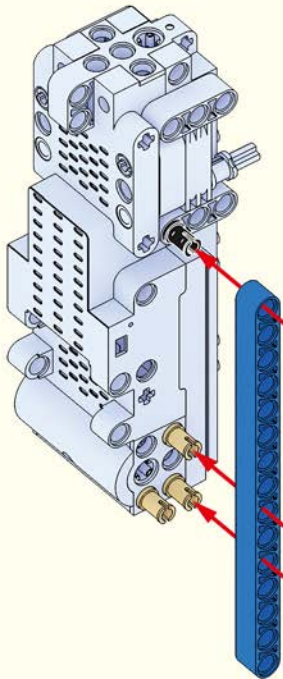


| 03 |

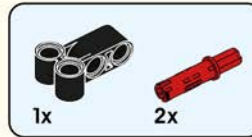




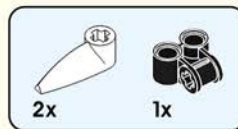
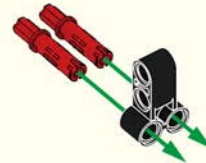
| 04 |



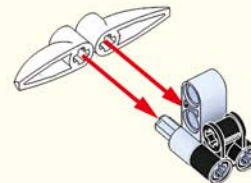
The module
to be built



| 05 |

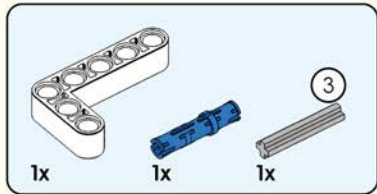


| 06 |

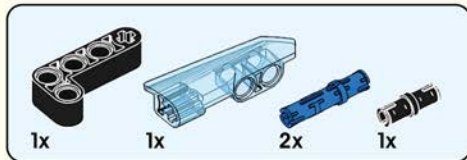
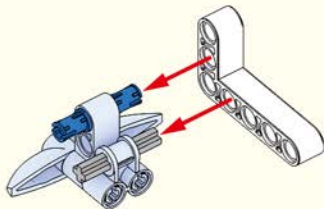


05

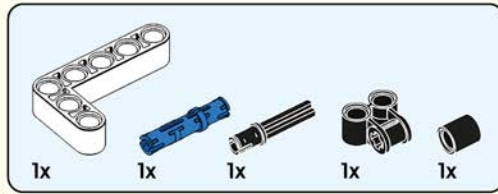
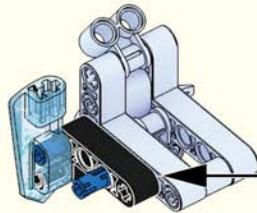
| ONLINE www.educiro.com | Customer Service support@educiro.com



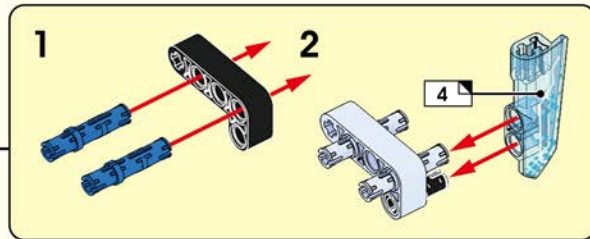
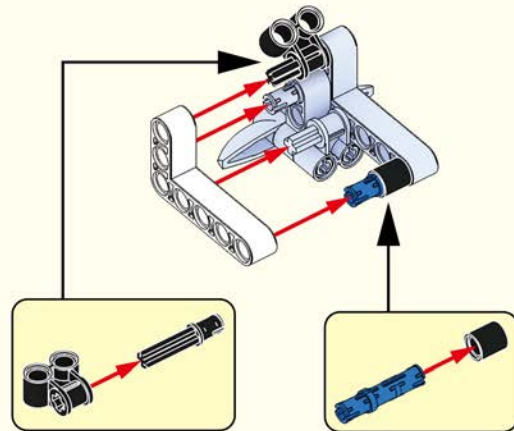
07



09



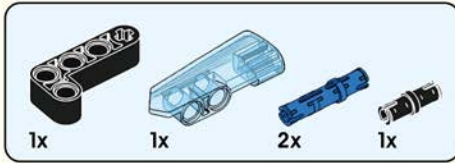
08



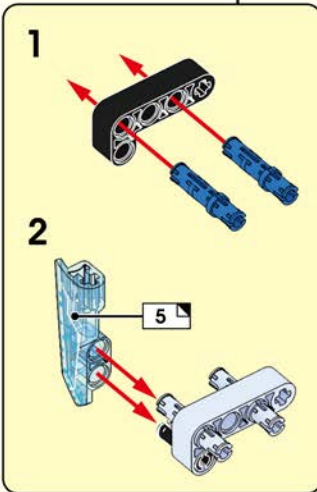
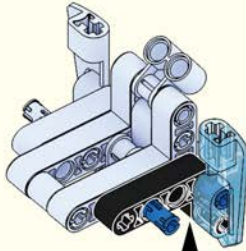
06

ONLINE www.educiro.com

Customer Service support@educiro.com

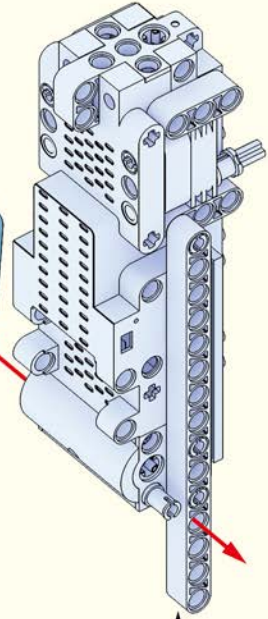
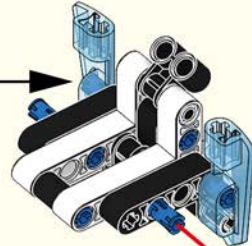


| 10 |

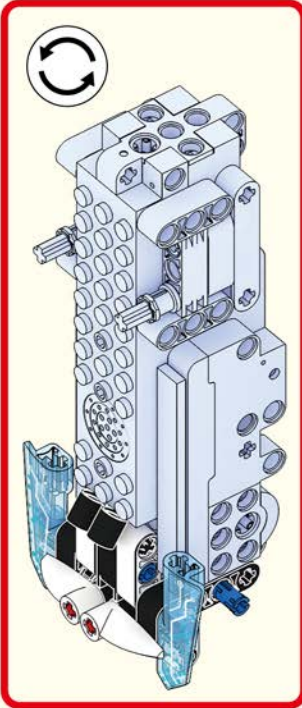


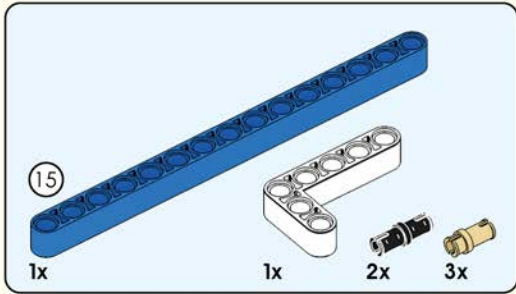
| 11 |

10

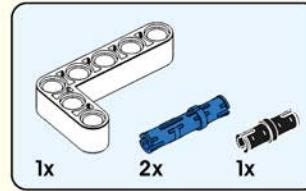
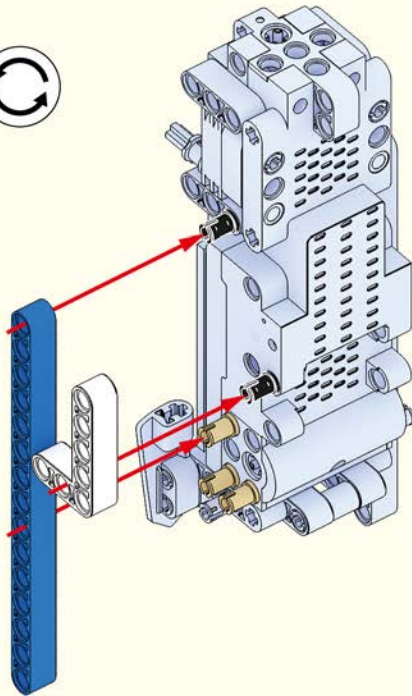


4

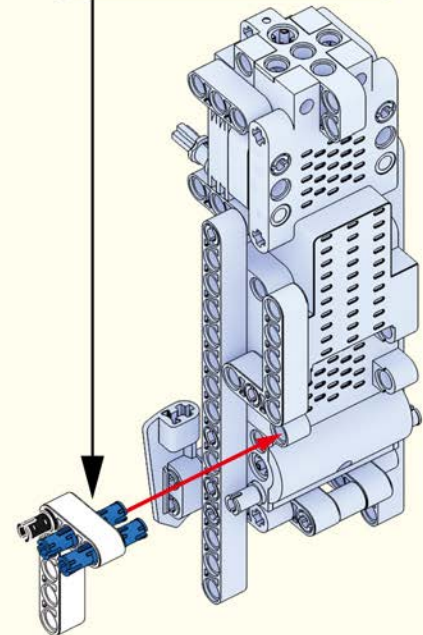
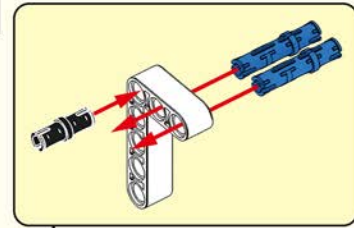




| 12 |



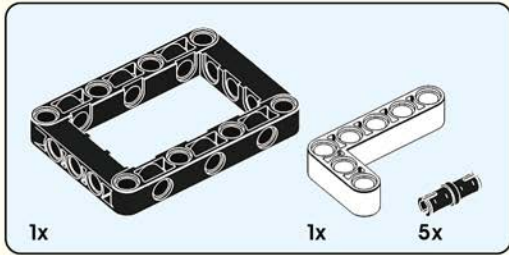
| 13 |



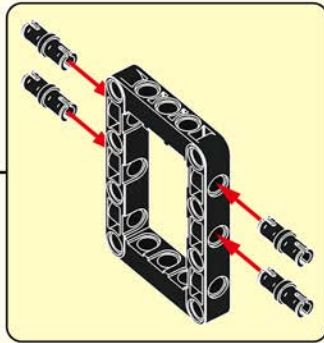
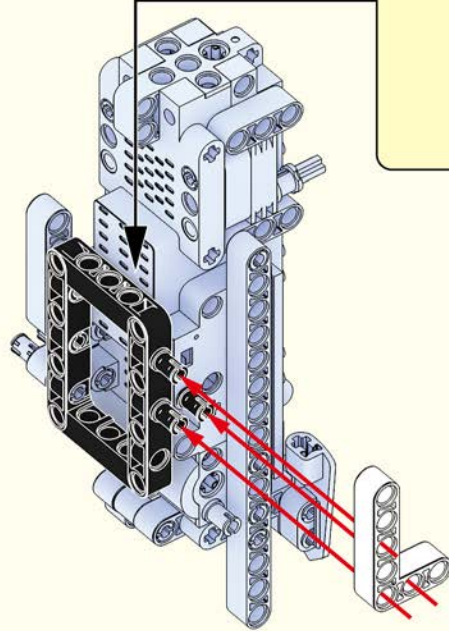
08

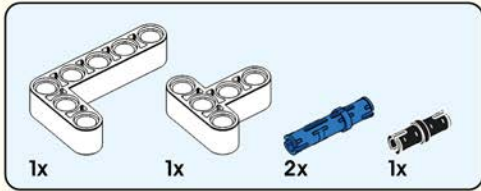
ONLINE www.educiro.com

Customer Service support@educiro.com

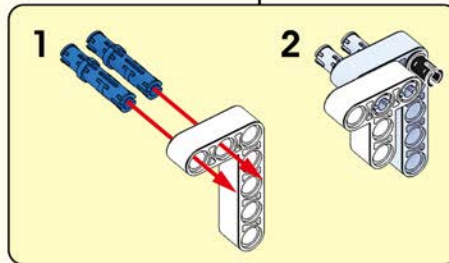
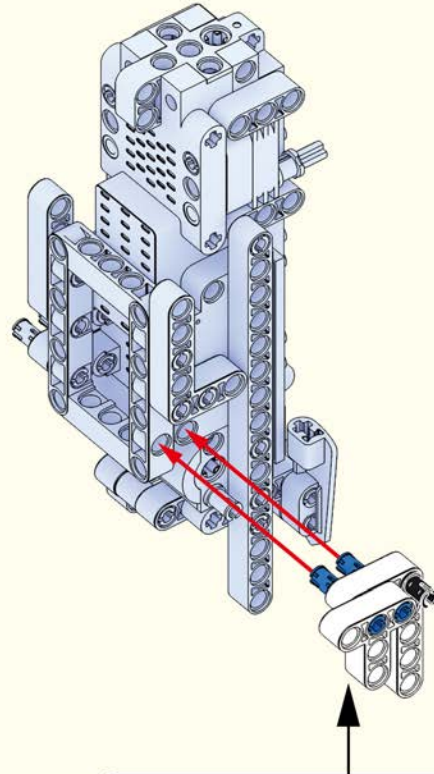


| 14 |





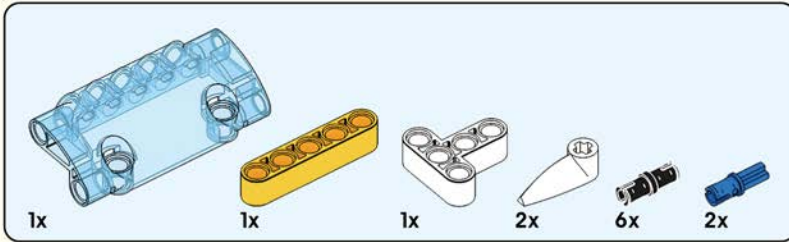
| 15 |



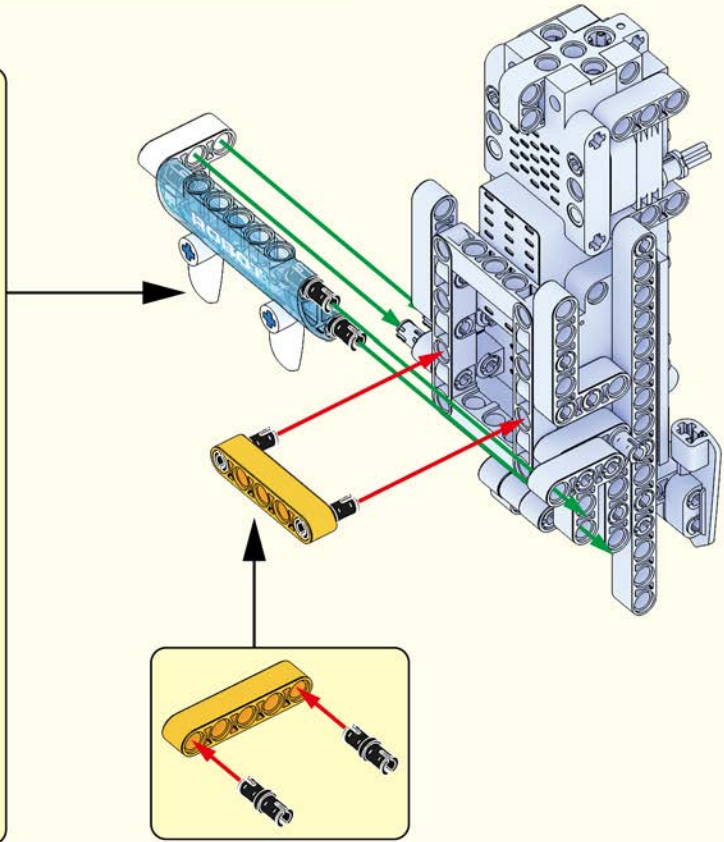
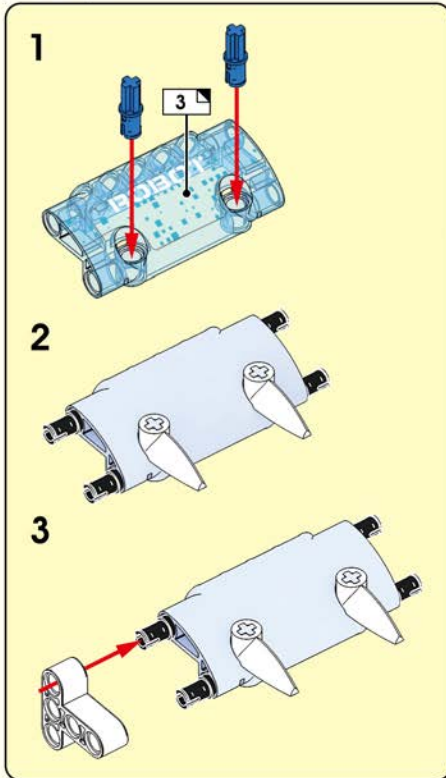
10

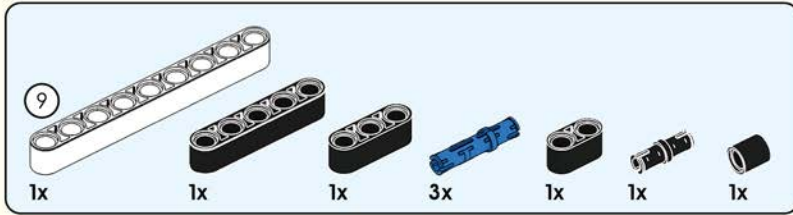
| ONLINE www.educiro.com

| Customer Service support@educiro.com

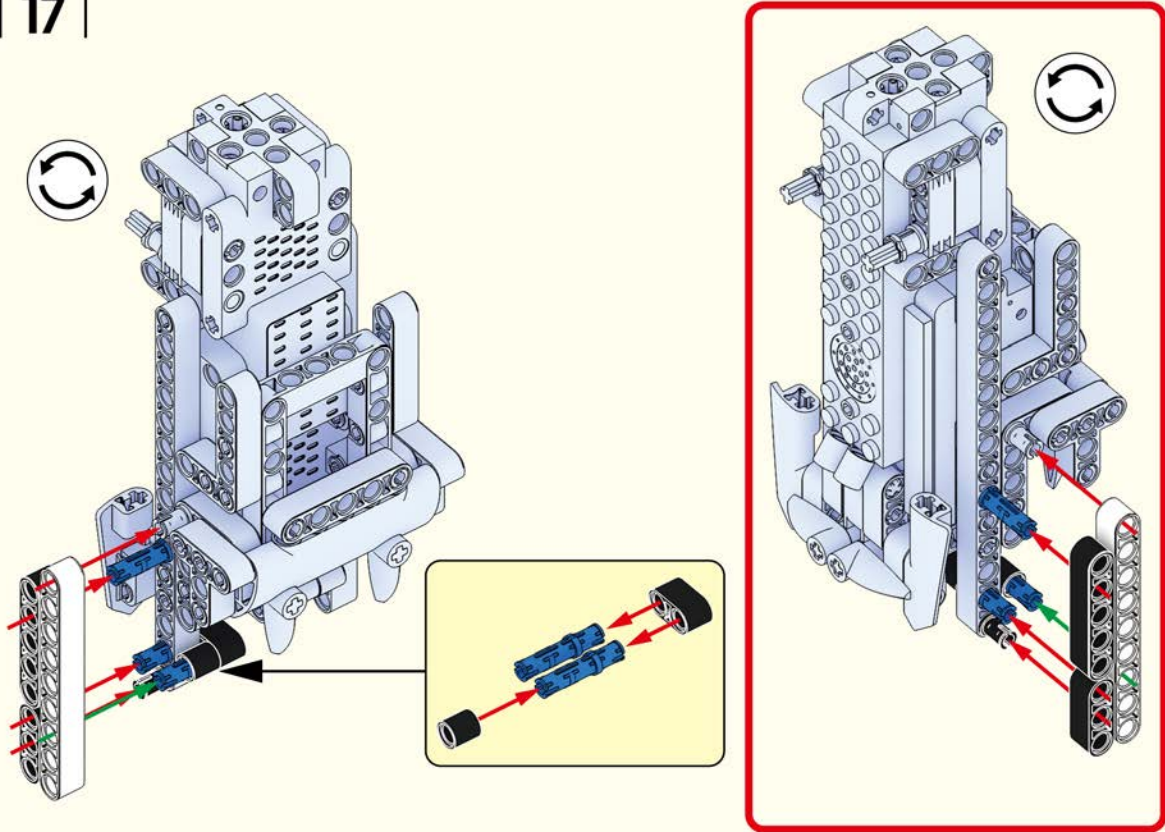


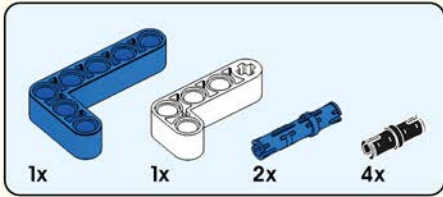
16



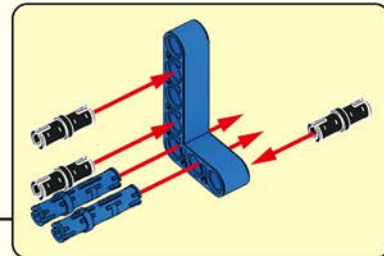
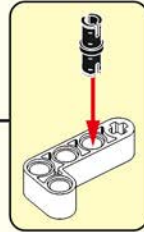
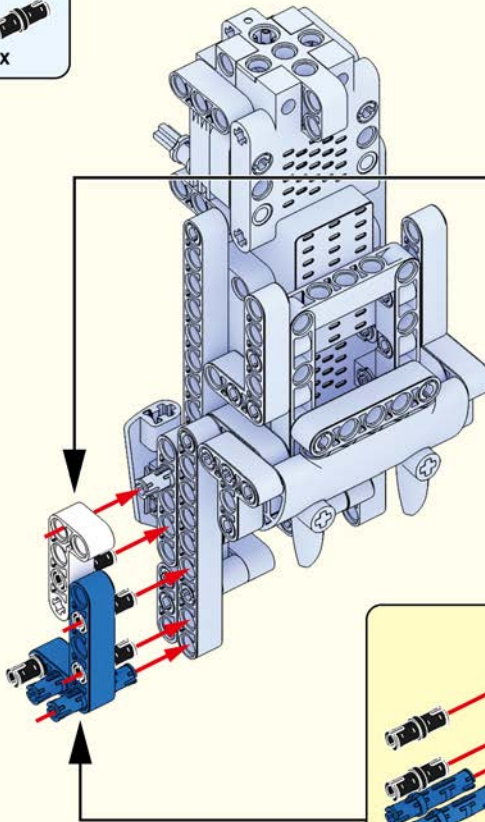


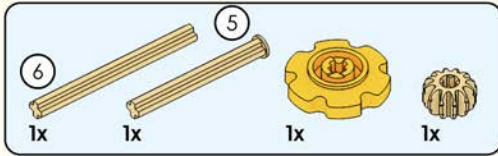
17



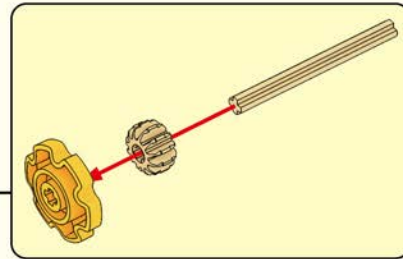
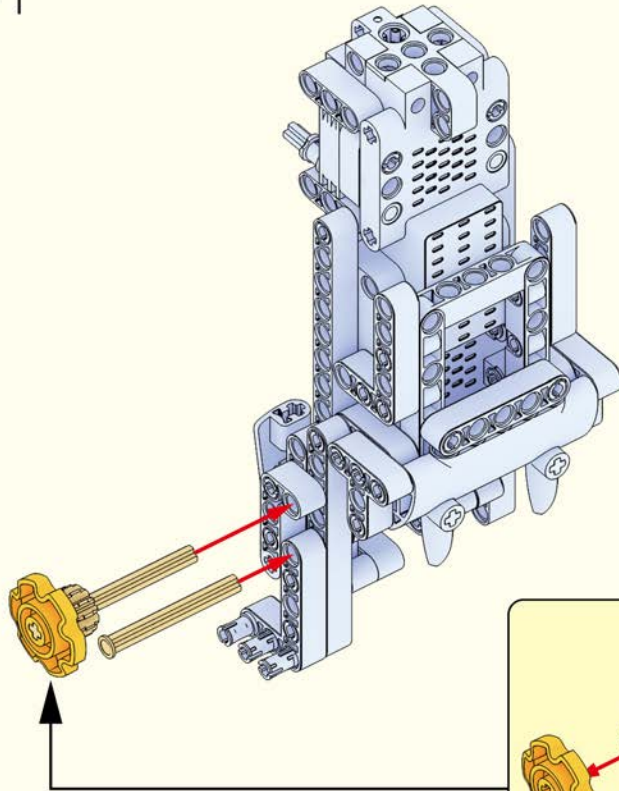


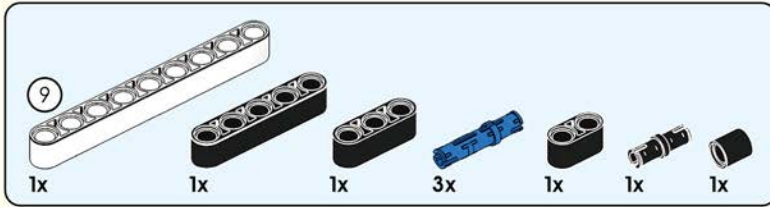
18



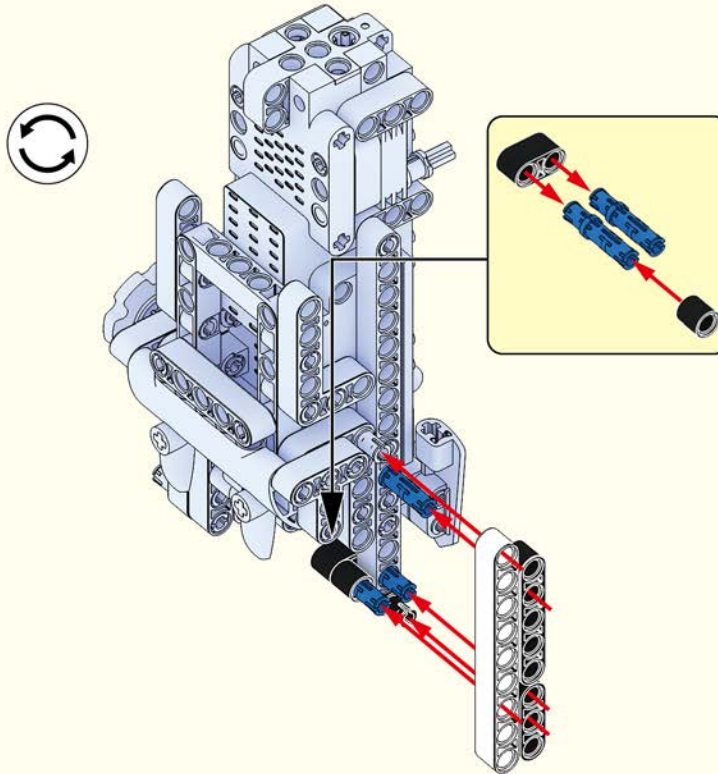


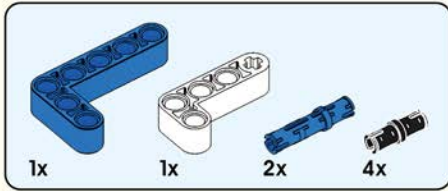
| 19 |



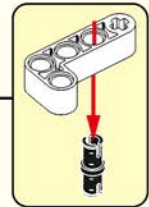
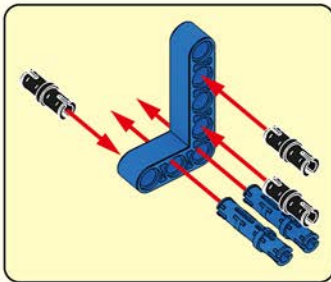
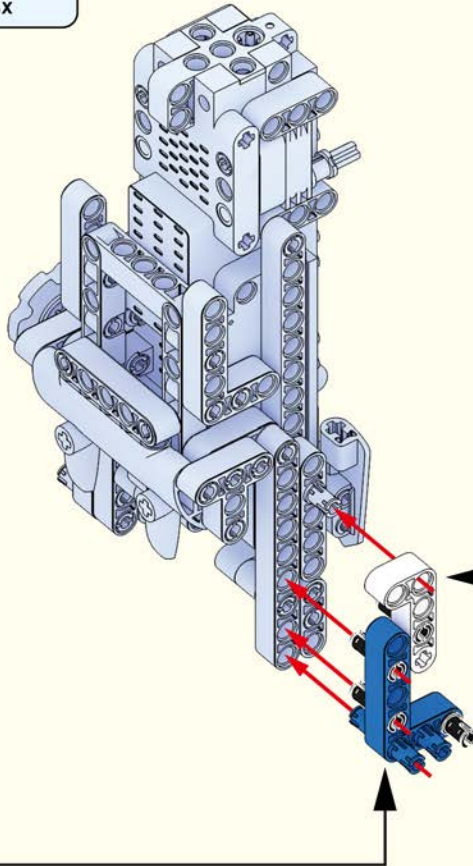


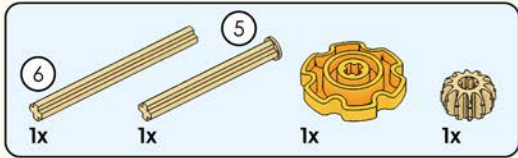
| 20 |



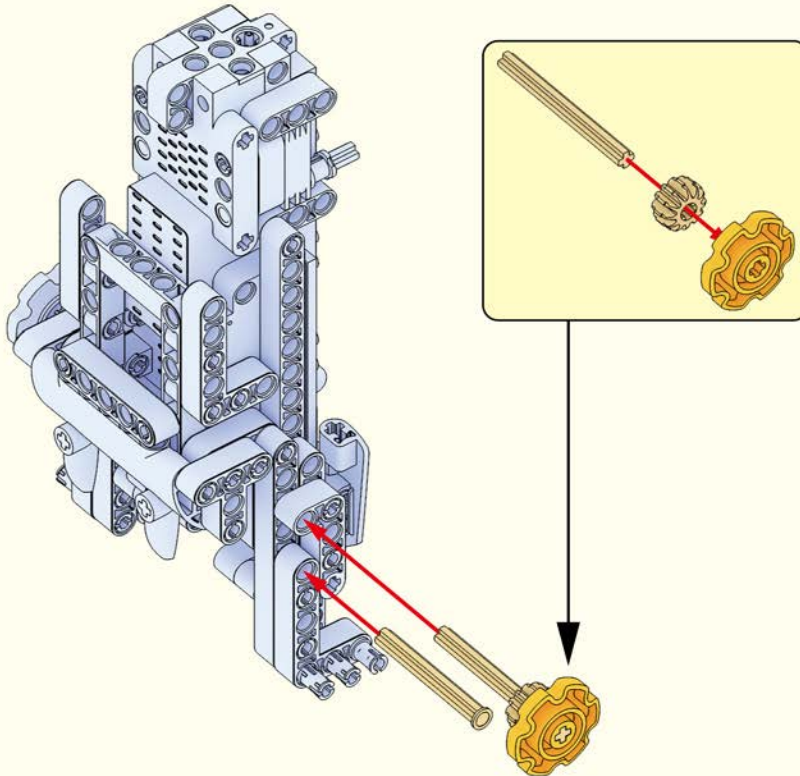


| 21 |

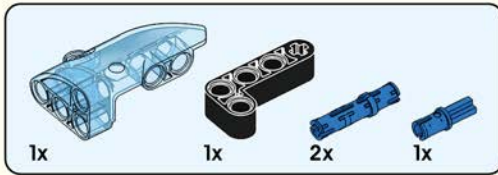




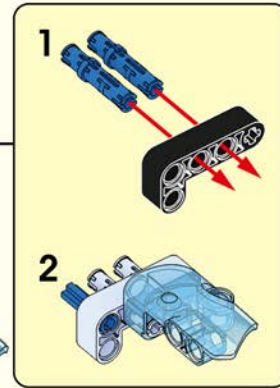
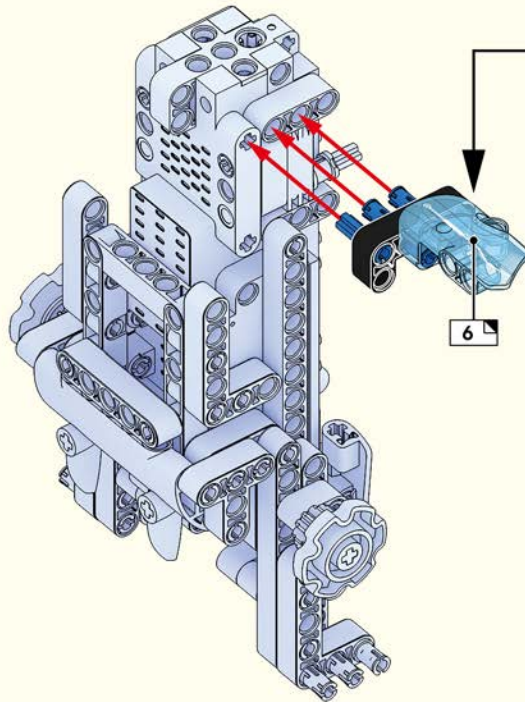
| 22 |

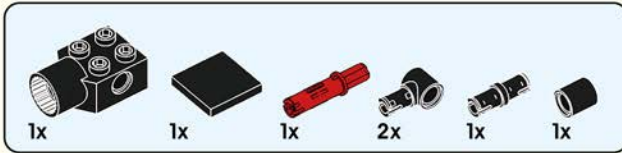


17

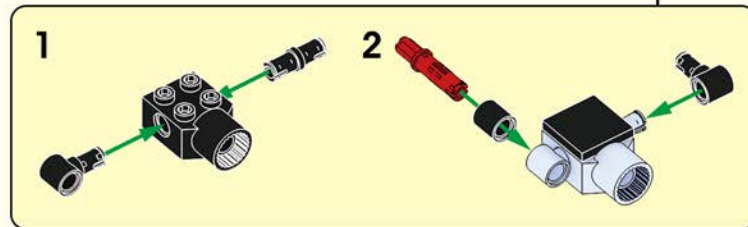
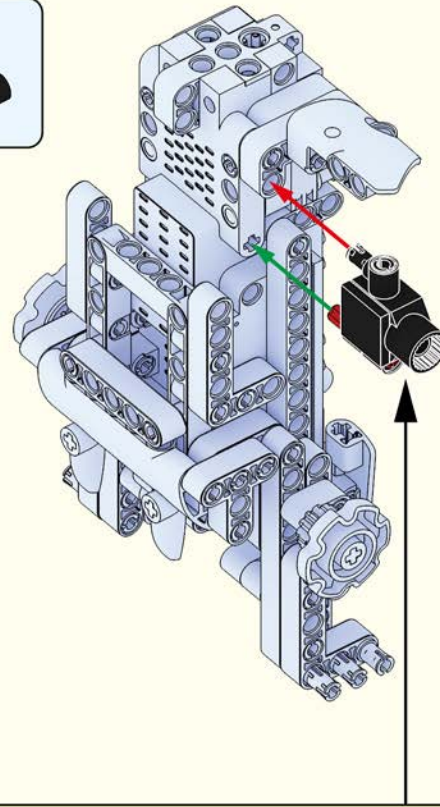


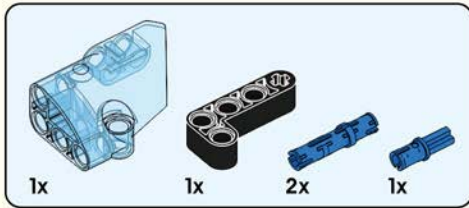
23



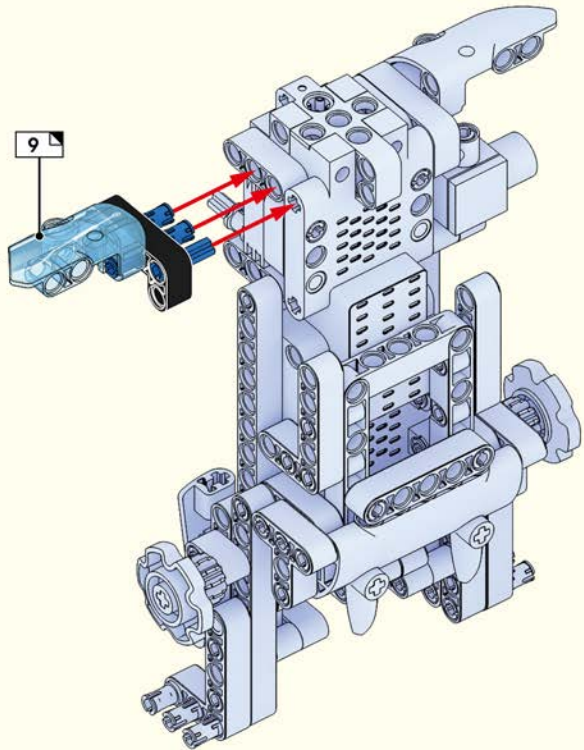
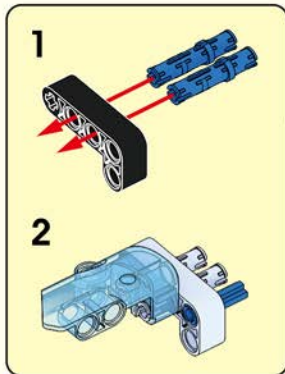


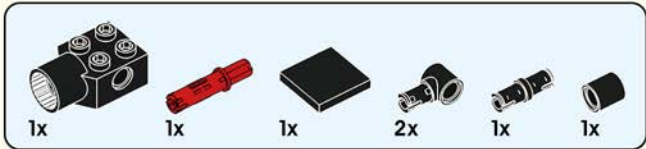
| 24 |



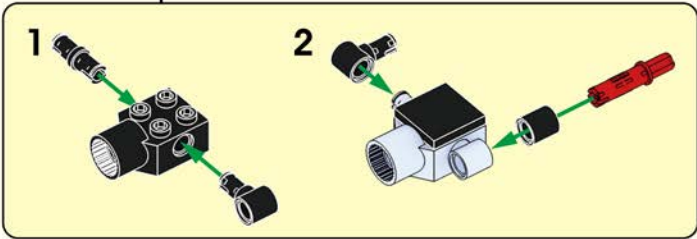
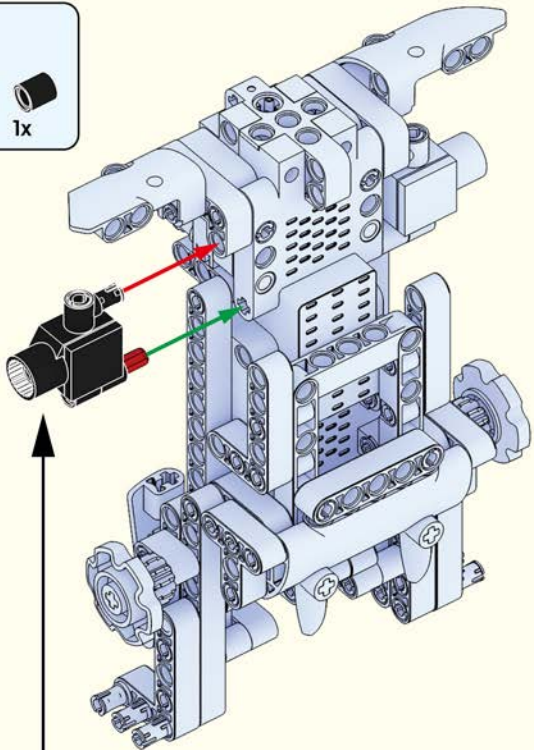


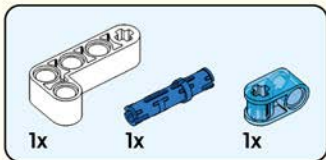
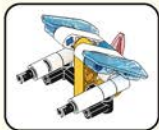
| 25 |



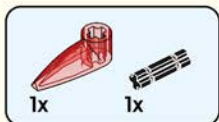
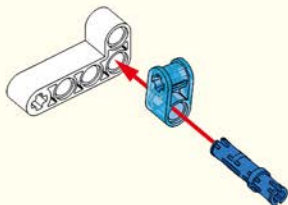


| 26 |

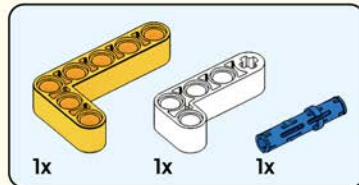
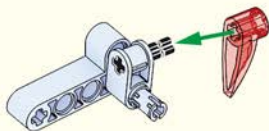




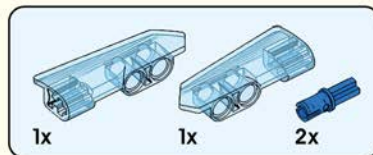
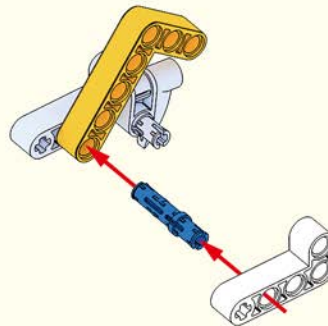
| 27 |



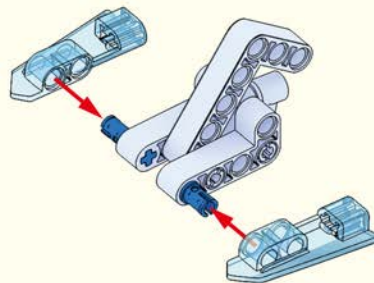
| 28 |

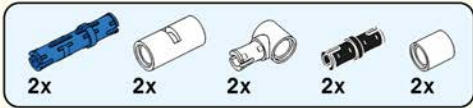


| 29 |

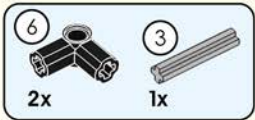
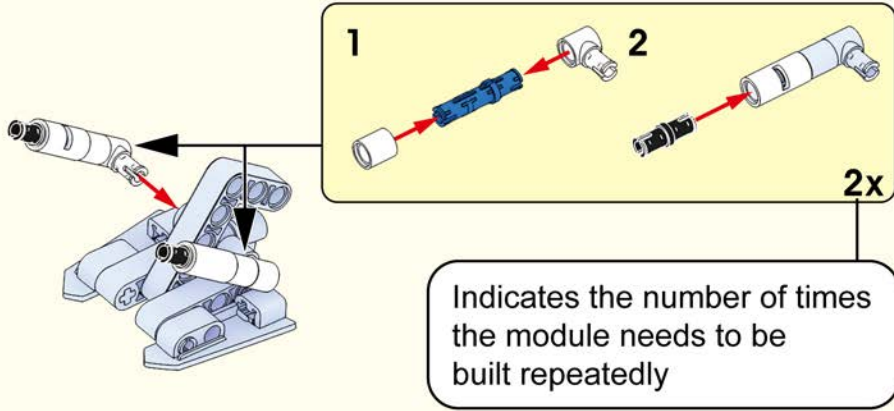


| 30 |

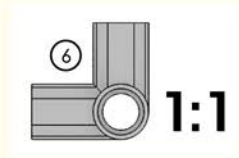
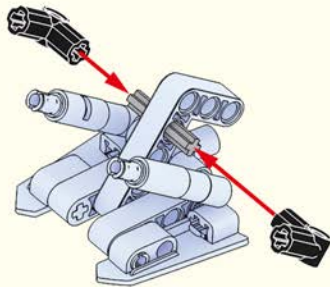


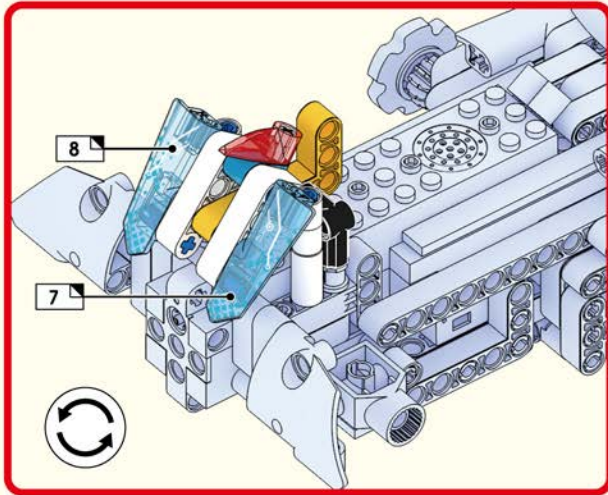


31



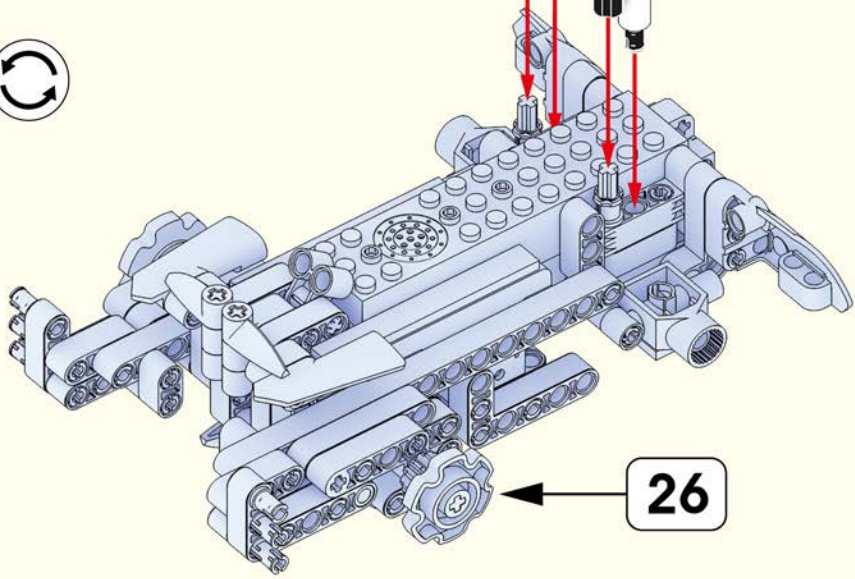
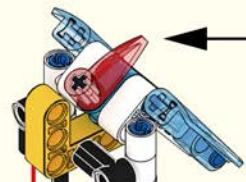
32



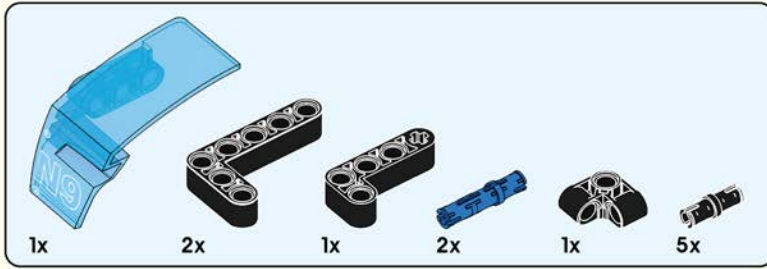


| 33 |

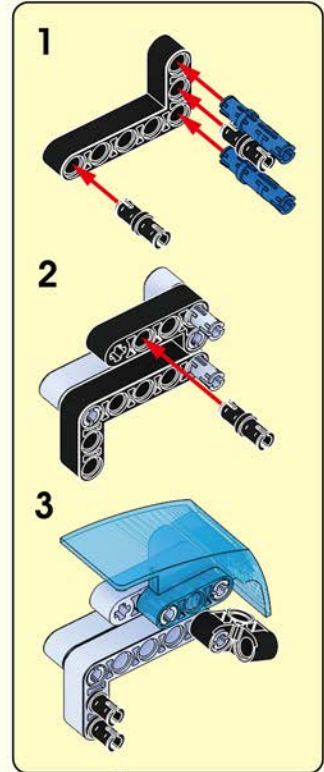
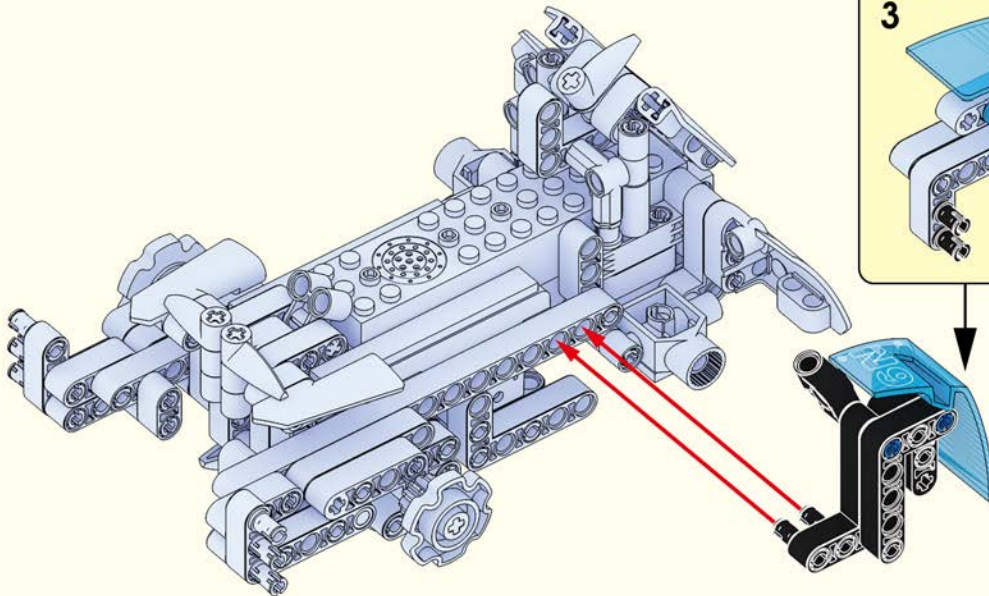
32



26



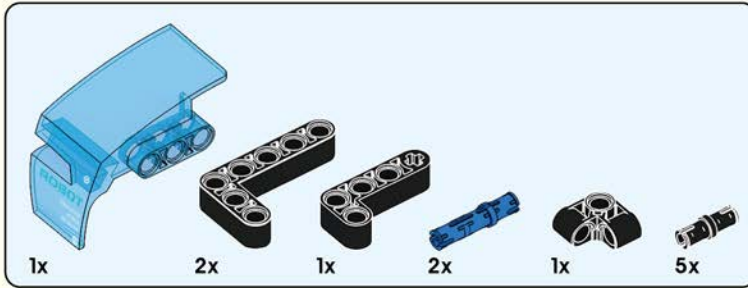
| 34 |



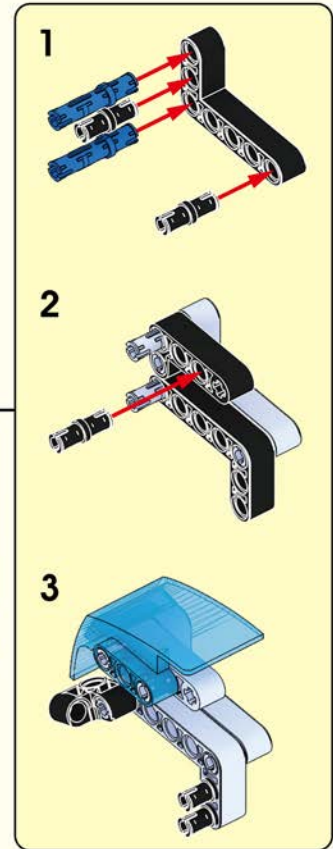
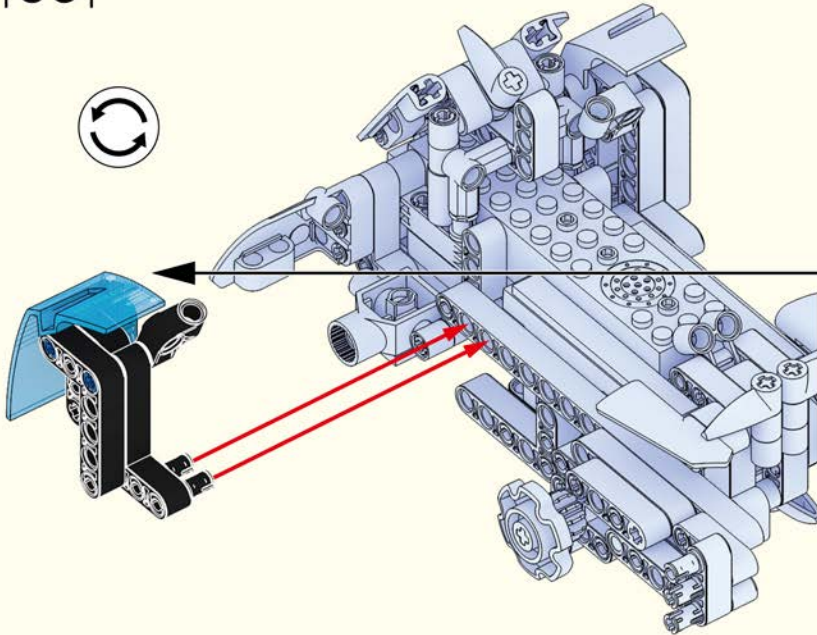
25

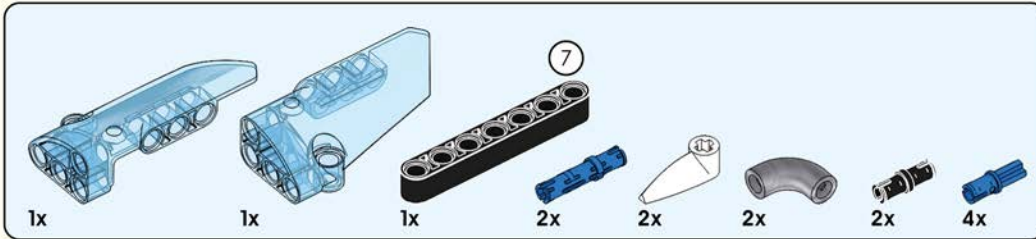
ONLINE www.educiro.com

Customer Service support@educiro.com

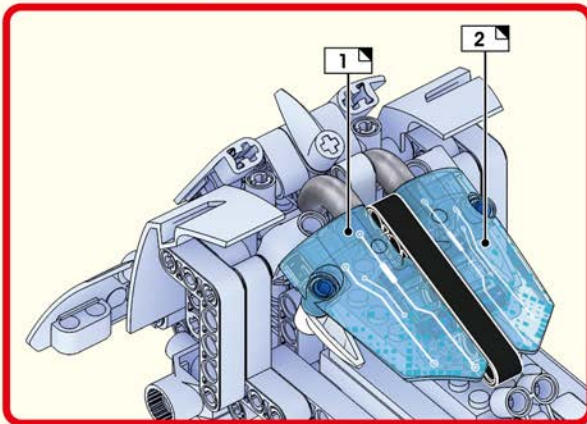
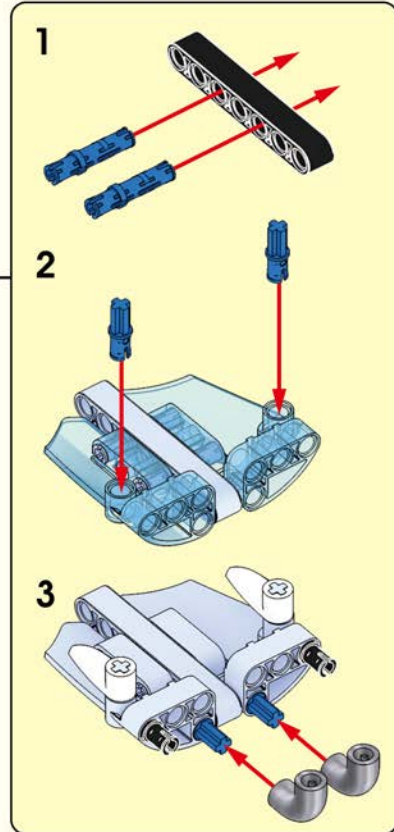
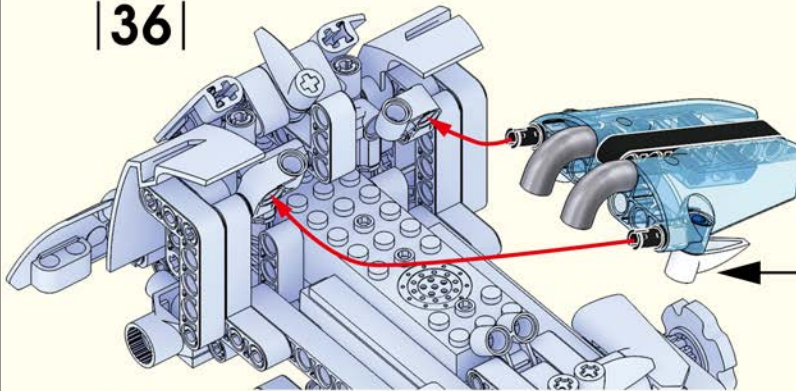


| 35 |





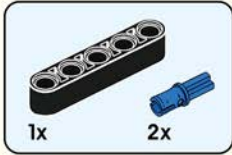
36



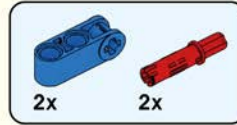
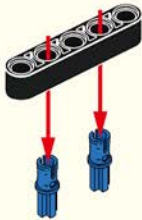
27

ONLINE www.educiro.com

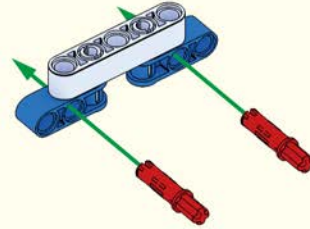
Customer Service support@educiro.com



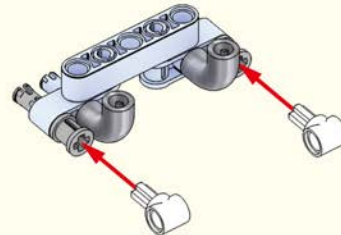
| 37 |

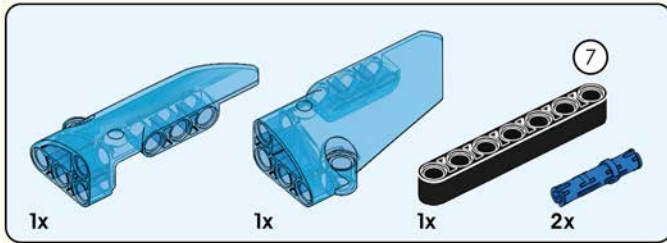


| 38 |

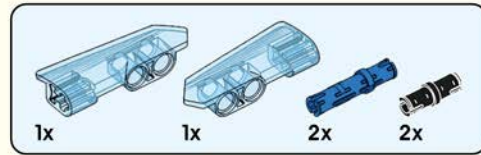
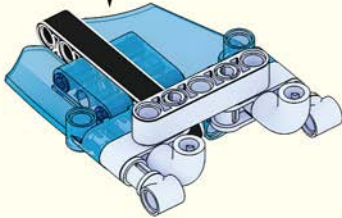
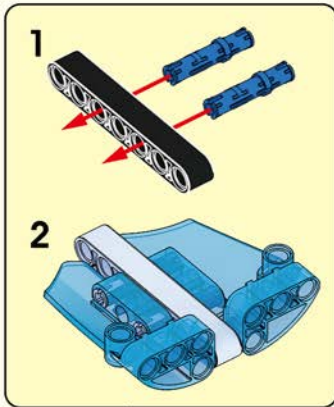


| 39 |

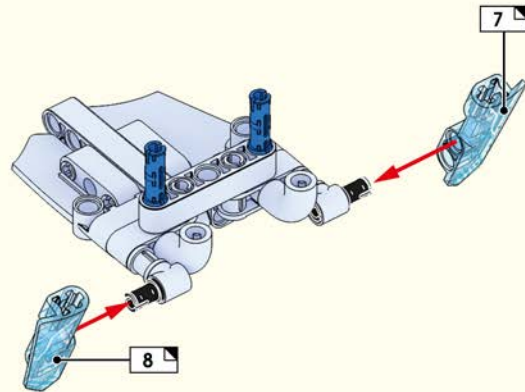




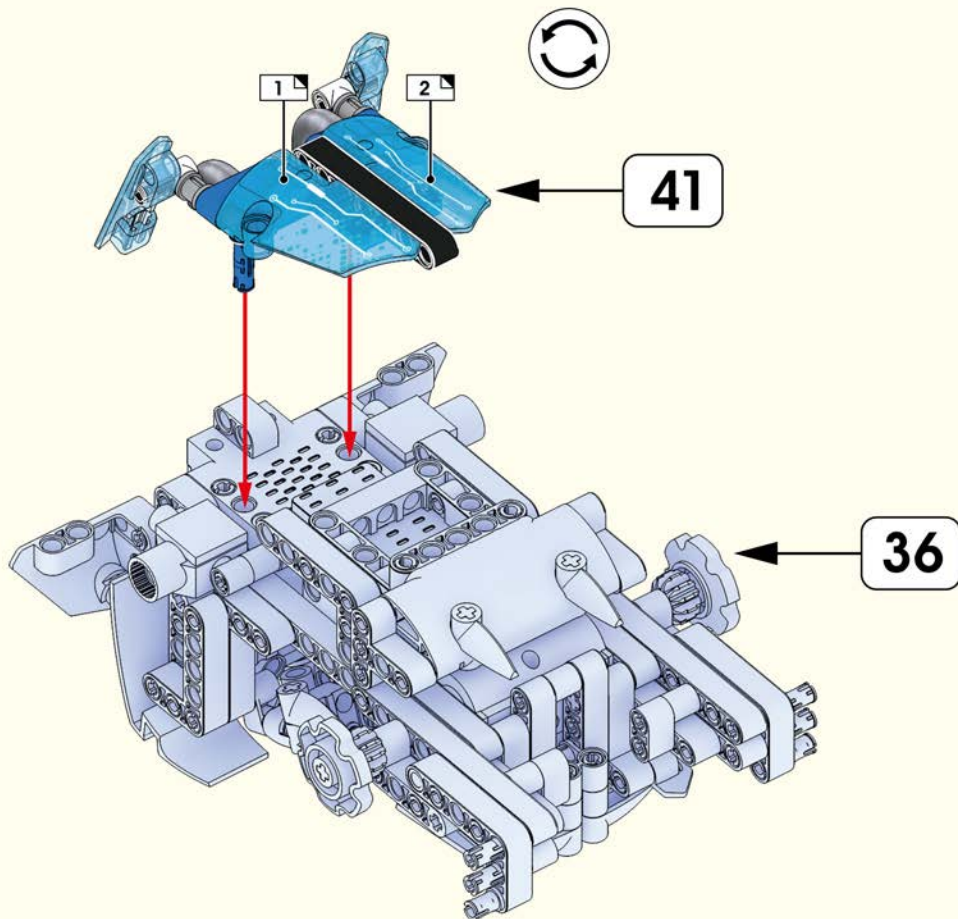
| 40 |



| 41 |

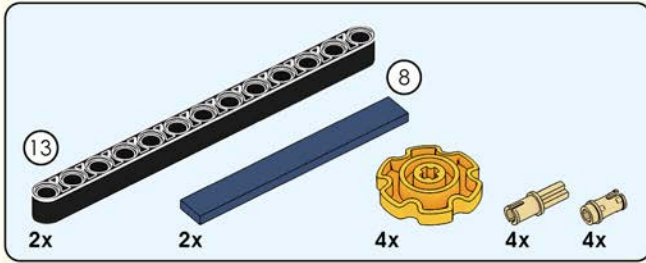


|42|

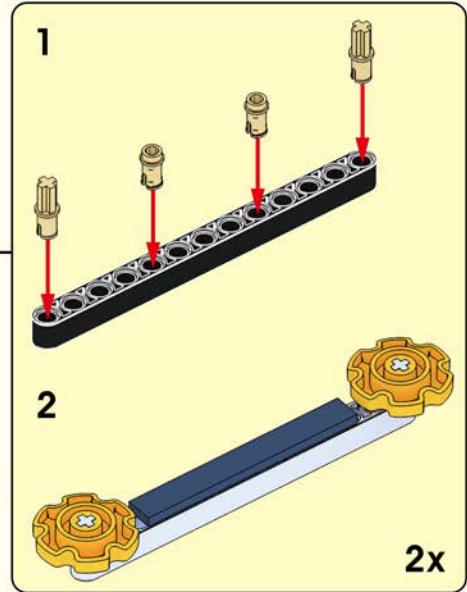
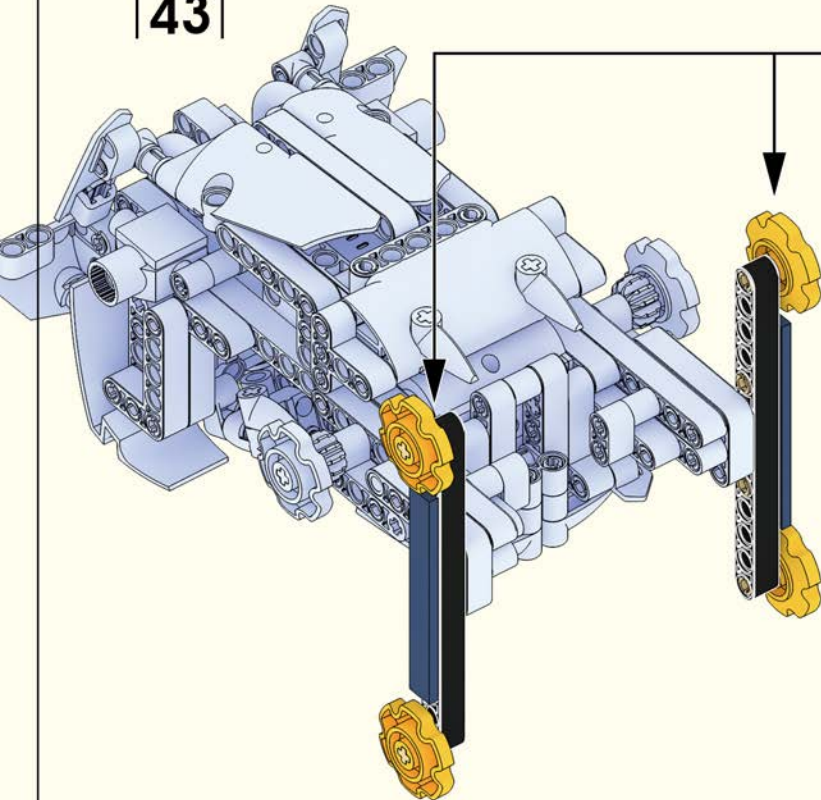


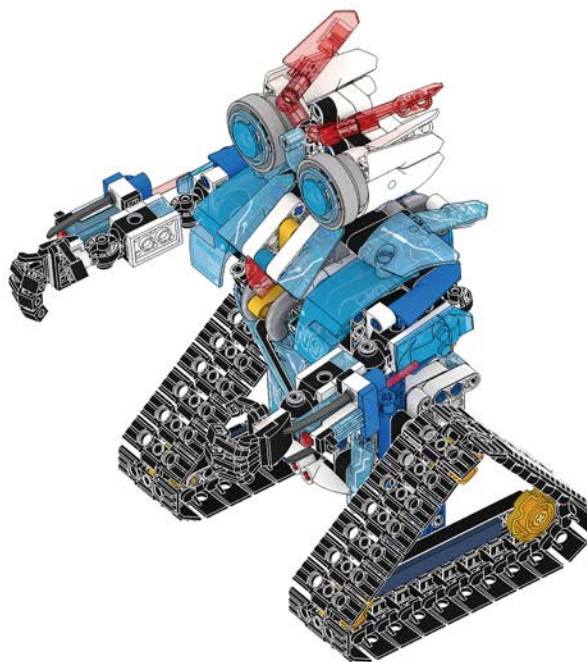
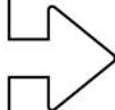
30

| ONLINE www.educiro.com | Customer Service support@educiro.com



| 43 |

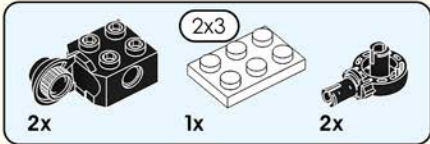
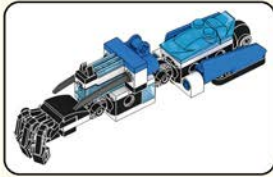




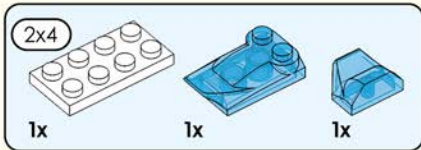
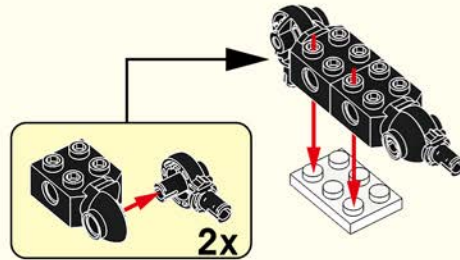
32

ONLINE www.educiro.com

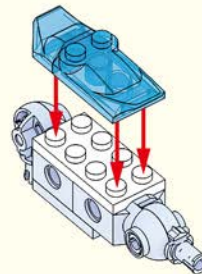
Customer Service support@educiro.com

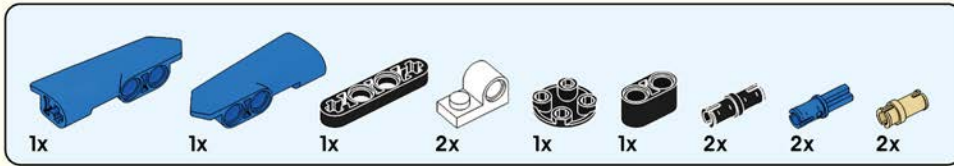


44

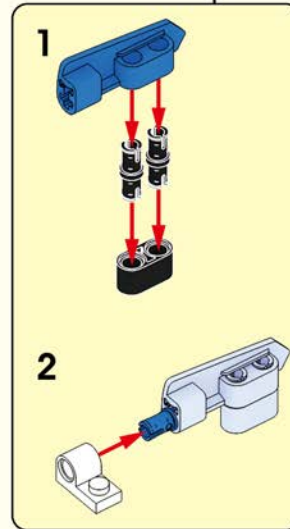
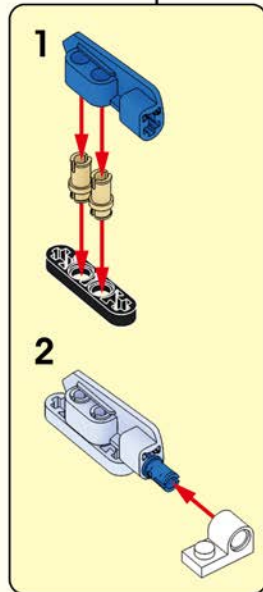
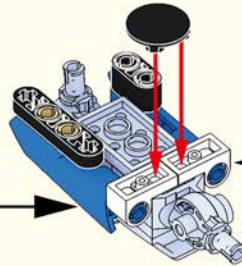


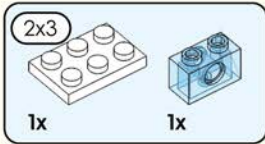
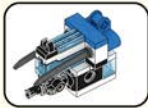
45



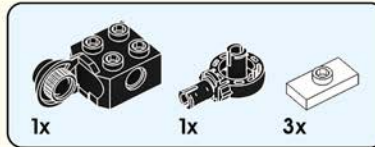
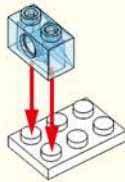


46

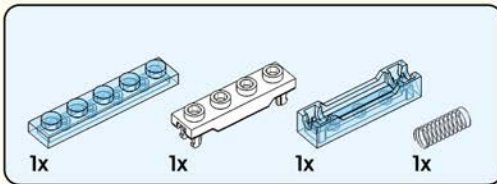
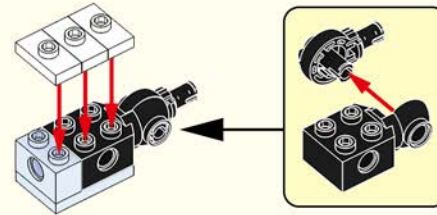




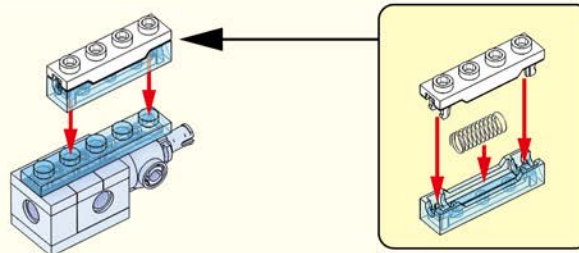
47

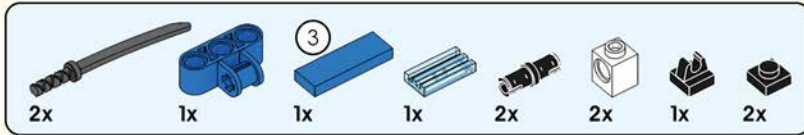


48

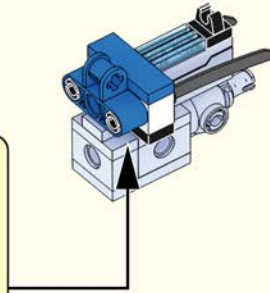
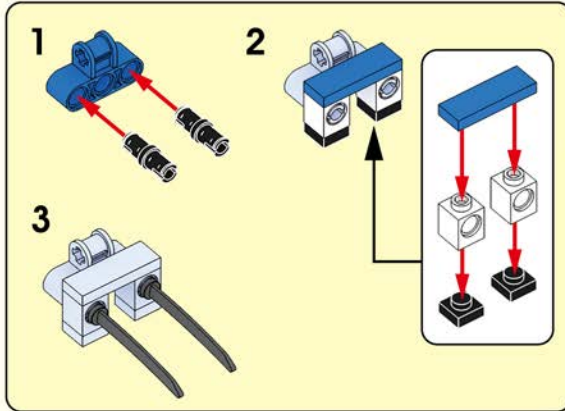


49



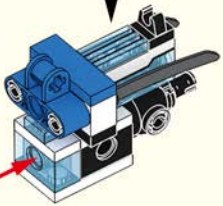


50



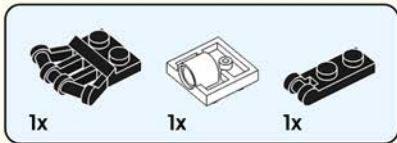
50

51

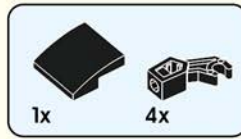
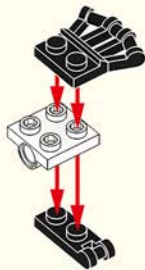


46





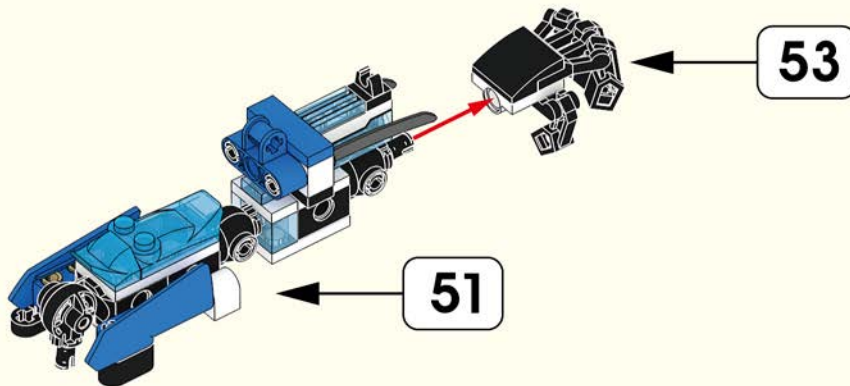
| 52 |



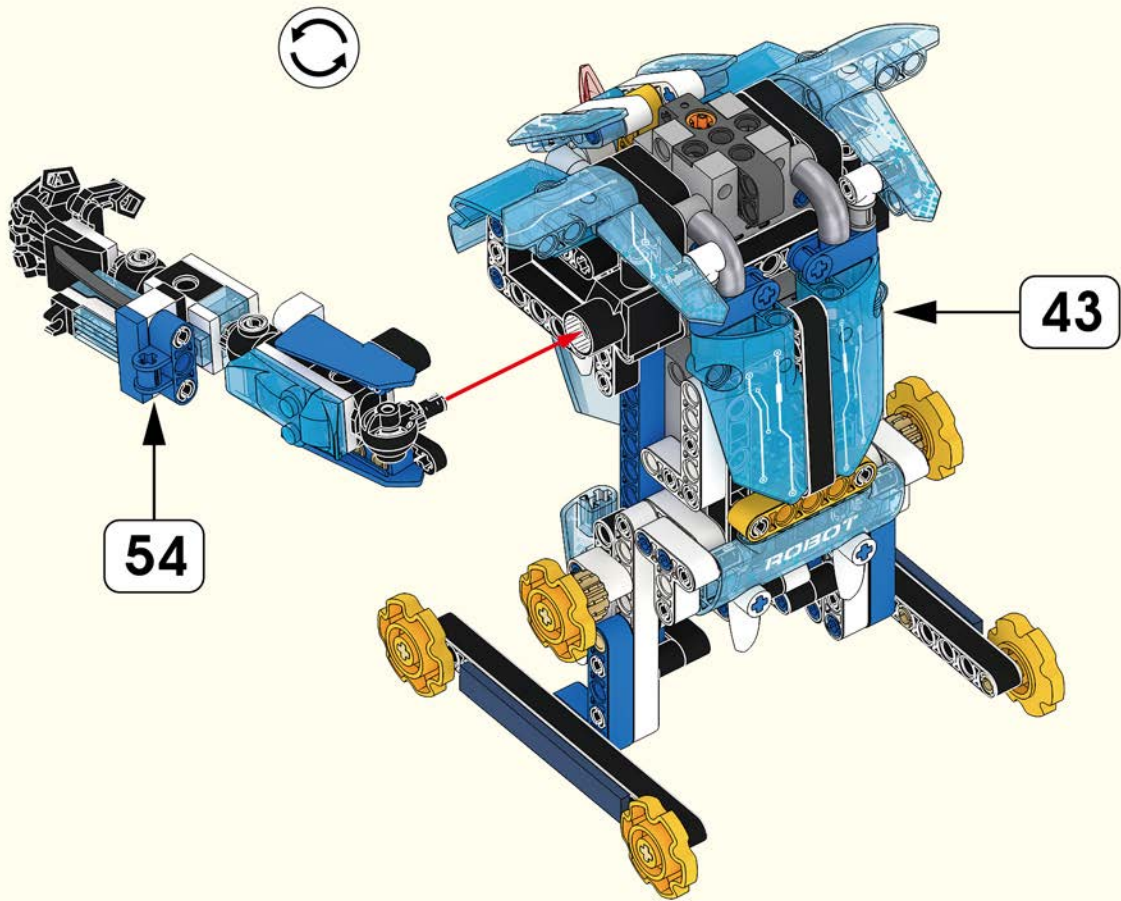
| 53 |



| 54 |

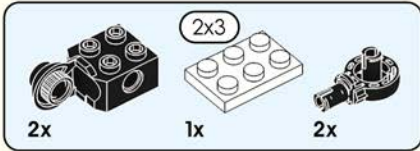
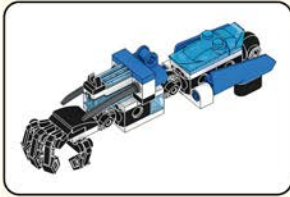


|55|

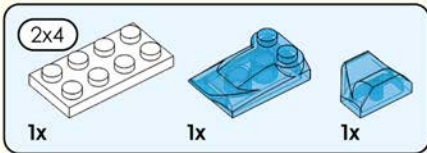
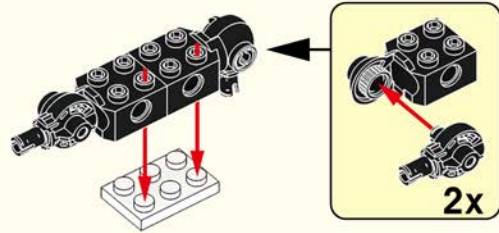


38

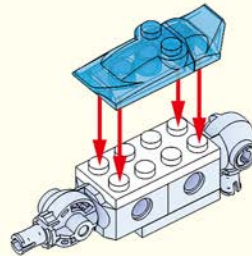
| ONLINE www.educiro.com | Customer Service support@educiro.com

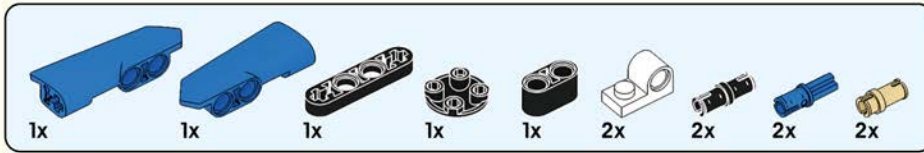


| 56 |

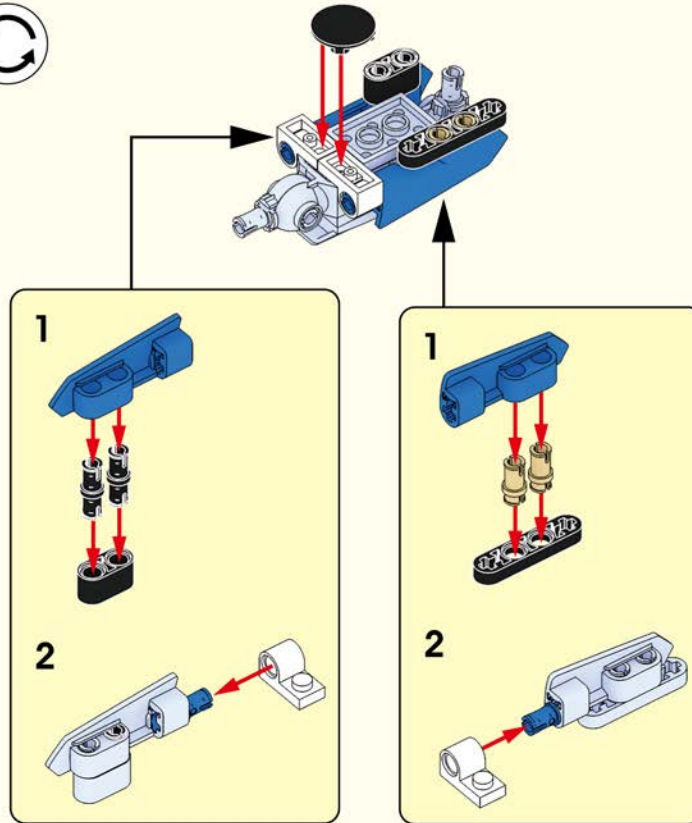


| 57 |



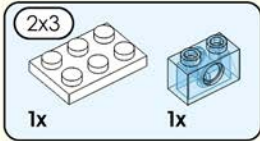


58

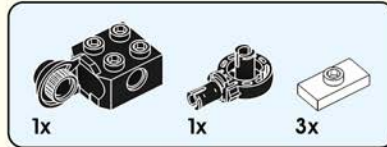
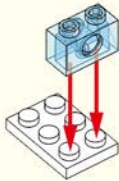


40

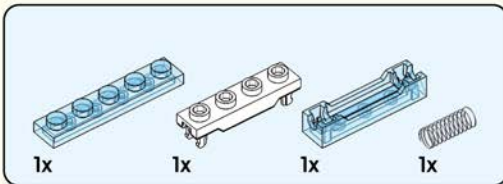
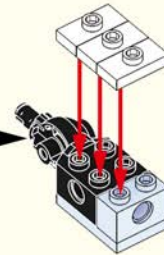
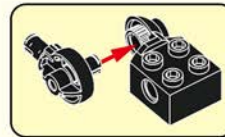
ONLINE www.educiro.com | Customer Service support@educiro.com



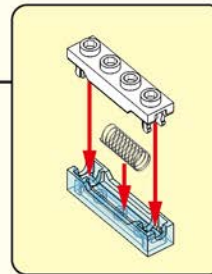
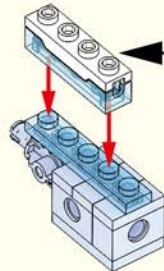
| 59 |



| 60 |



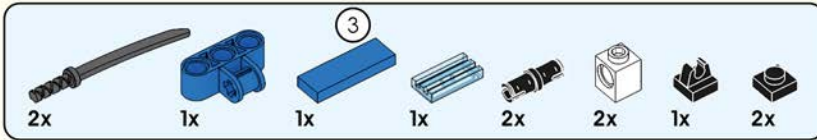
| 61 |



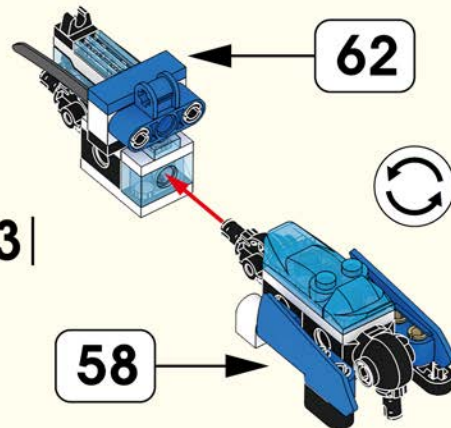
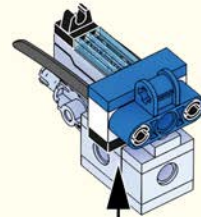
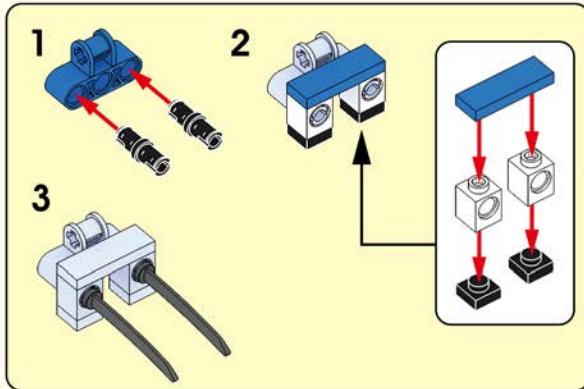
41

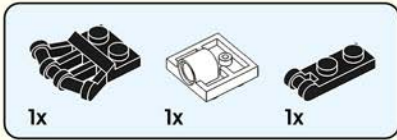
| ONLINE www.educiro.com

| Customer Service support@educiro.com

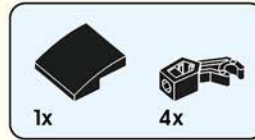
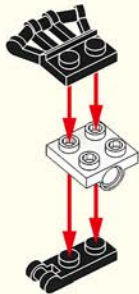


| 62 |





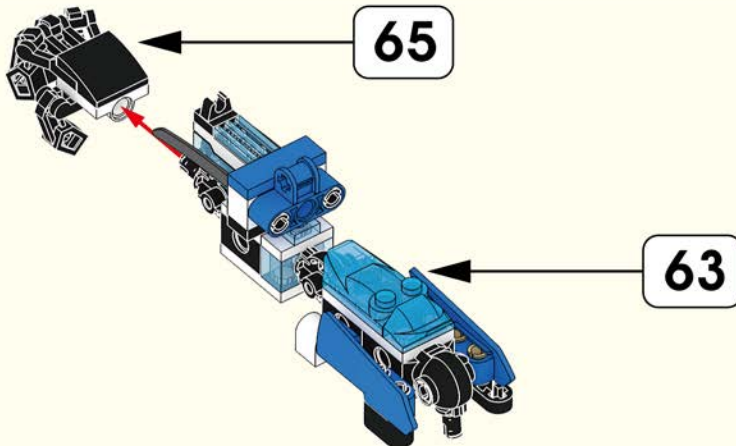
| 64 |



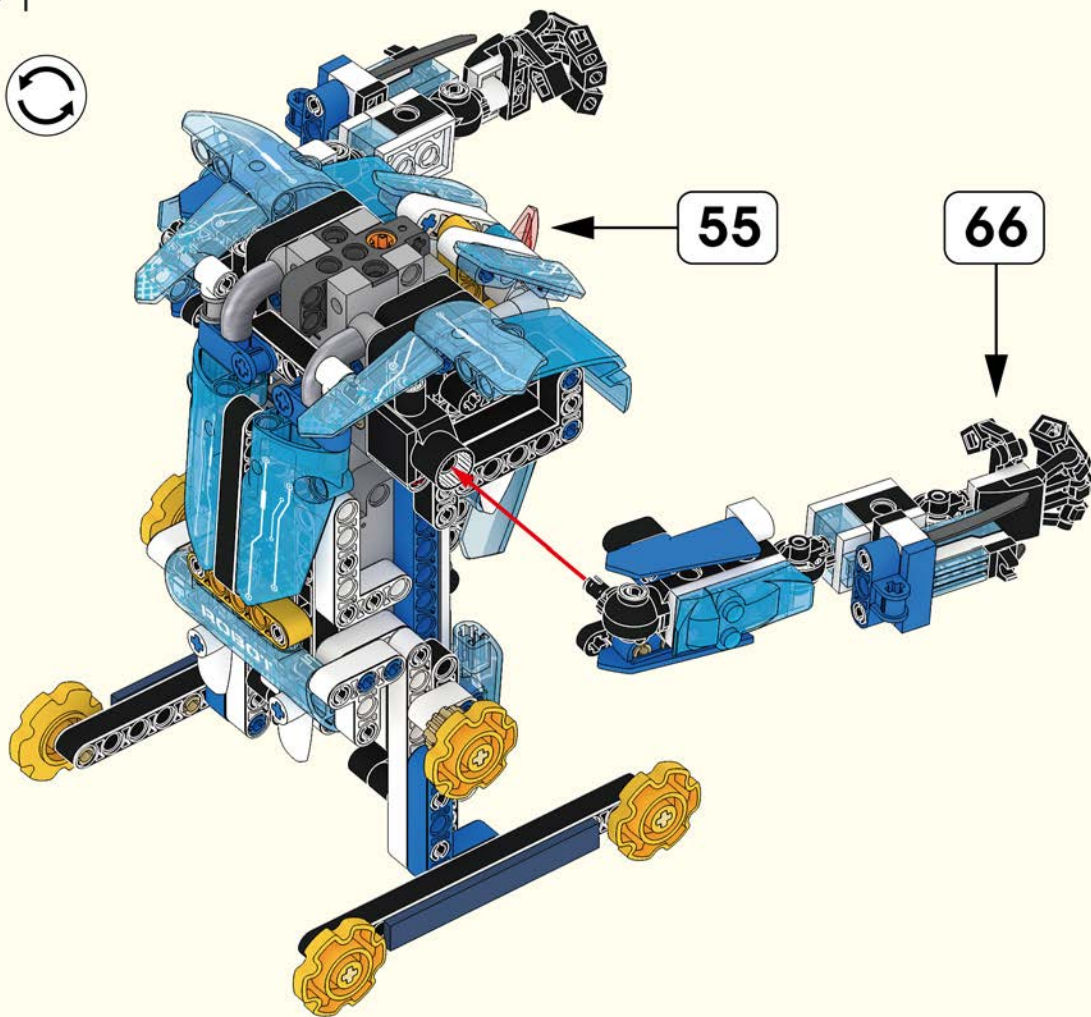
| 65 |



| 66 |

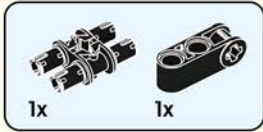
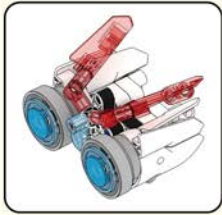


| 67 |

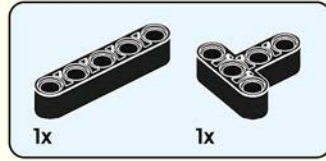


44

| ONLINE www.educiro.com | Customer Service support@educiro.com



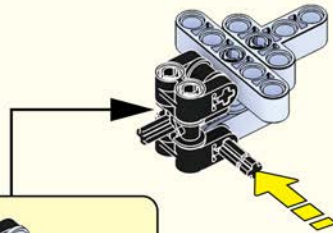
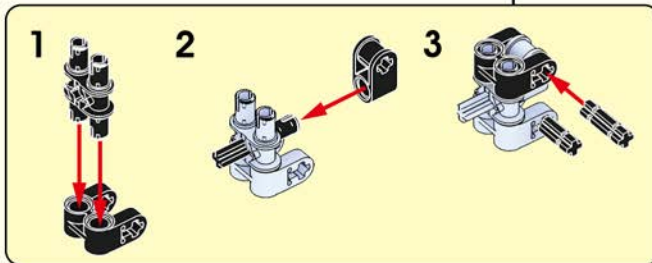
68

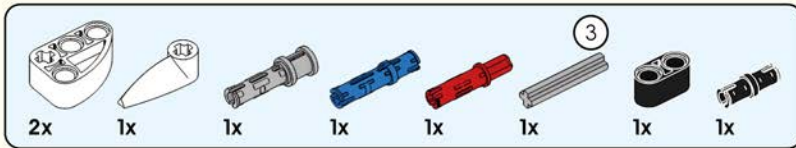


69

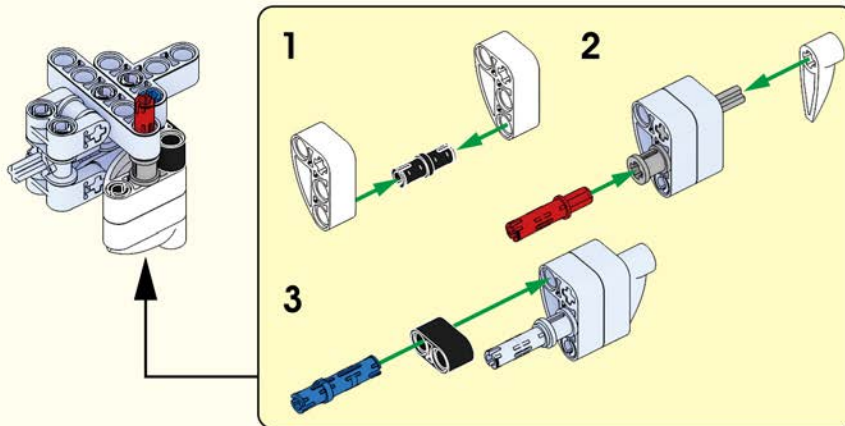


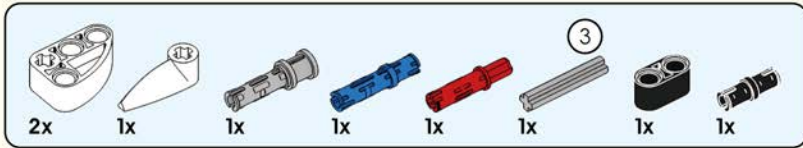
70



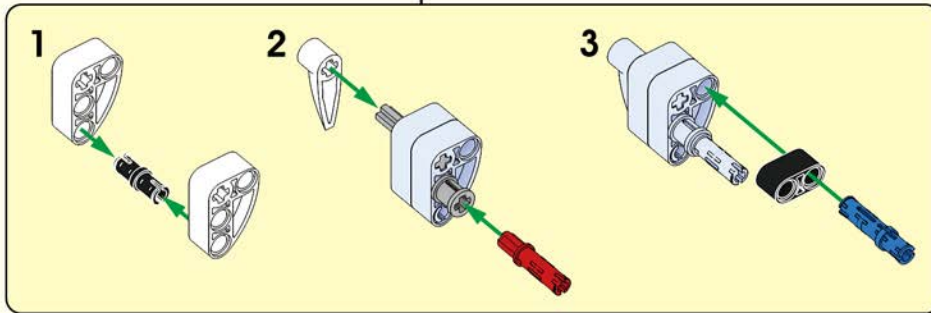
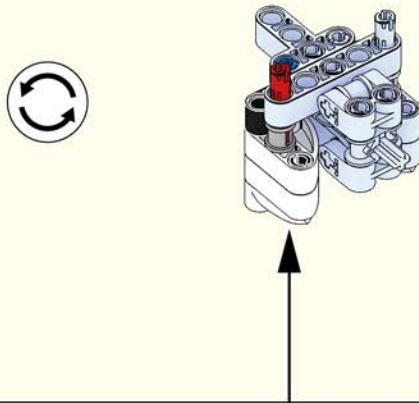


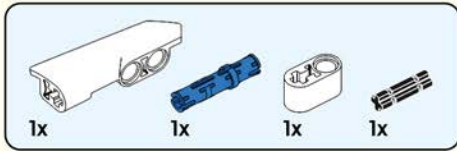
| 71 |



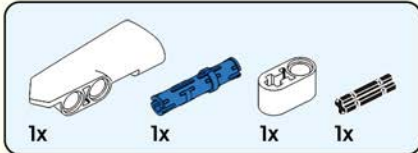
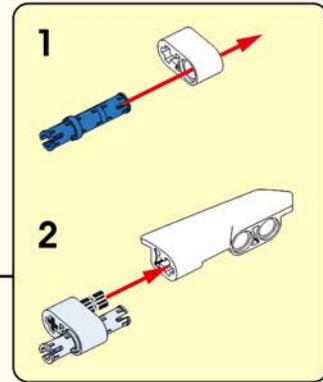
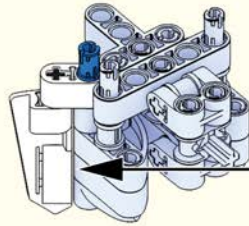


72

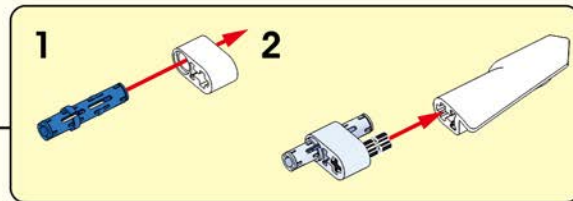
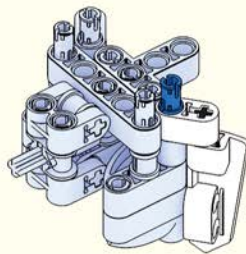


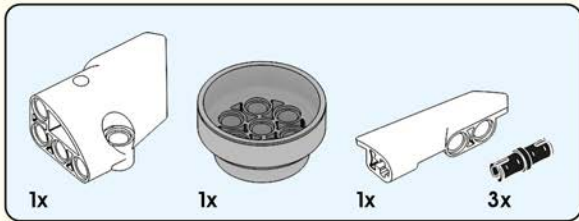


| 73 |

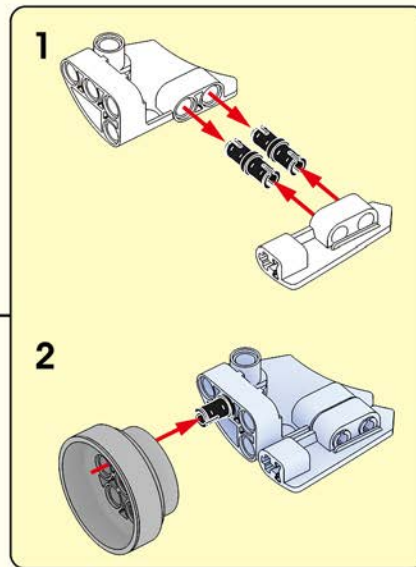
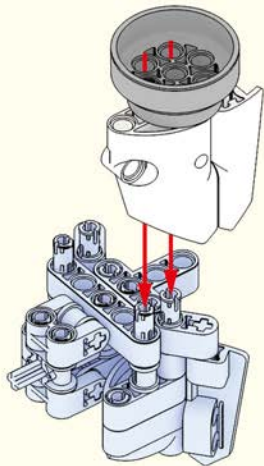


| 74 |





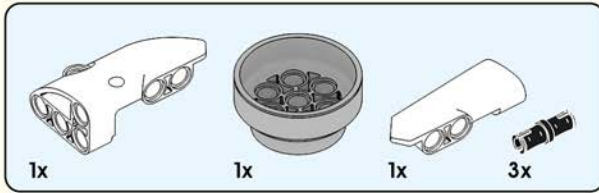
| 75 |



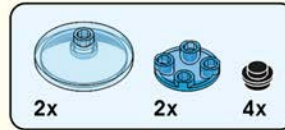
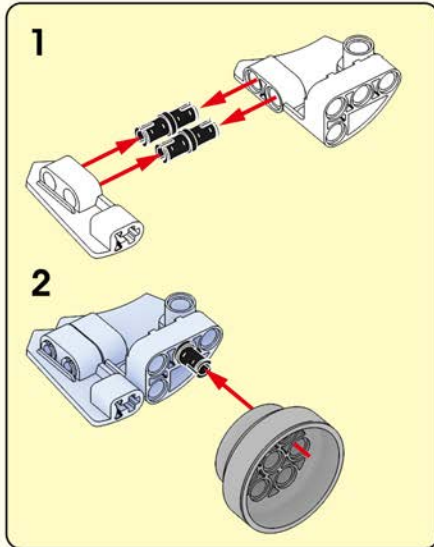
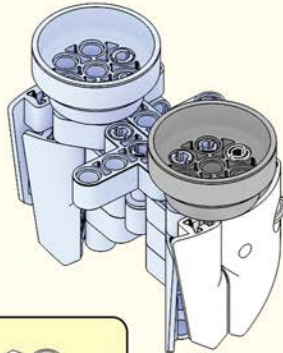
49

| ONLINE www.educiro.com

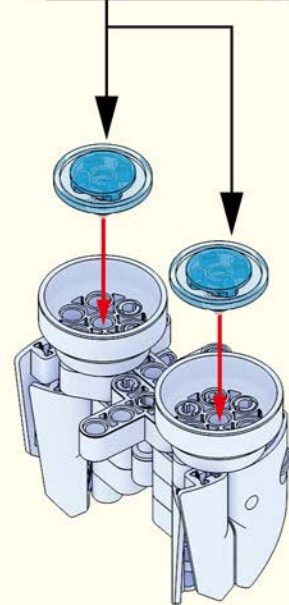
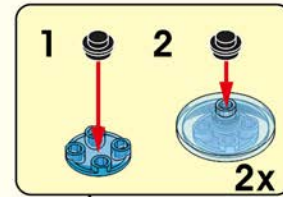
| Customer Service support@educiro.com

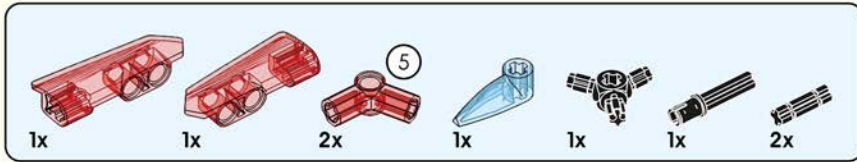


76

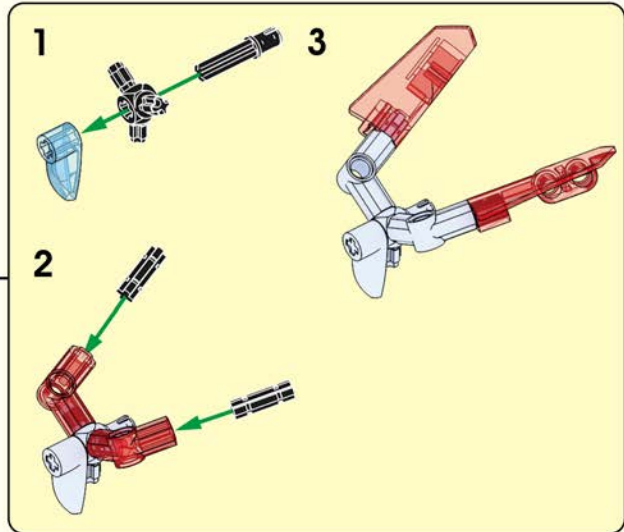
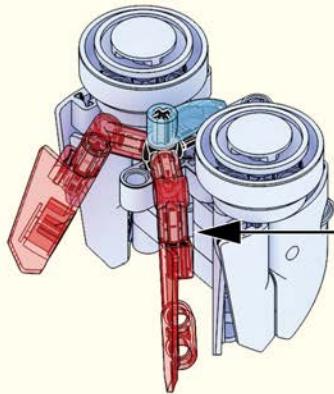


77

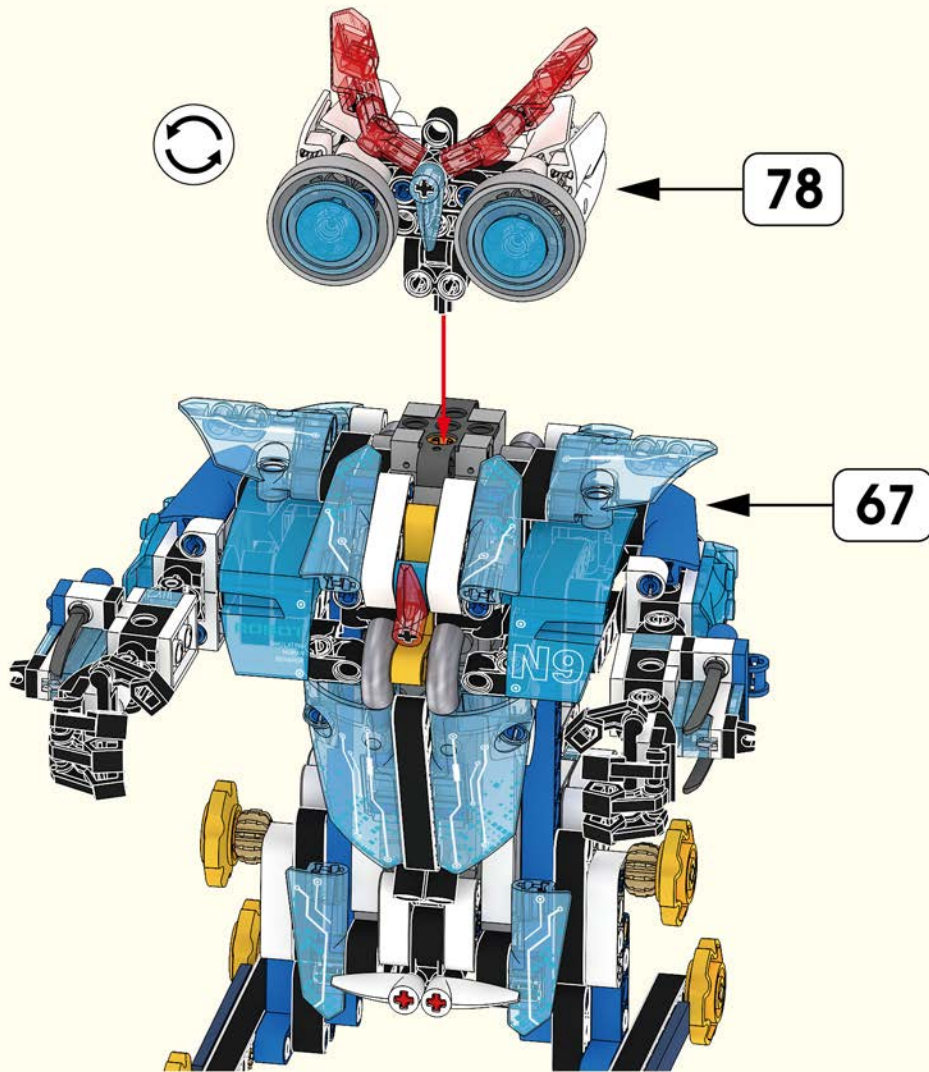


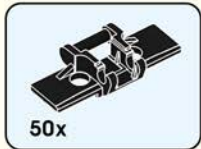


78

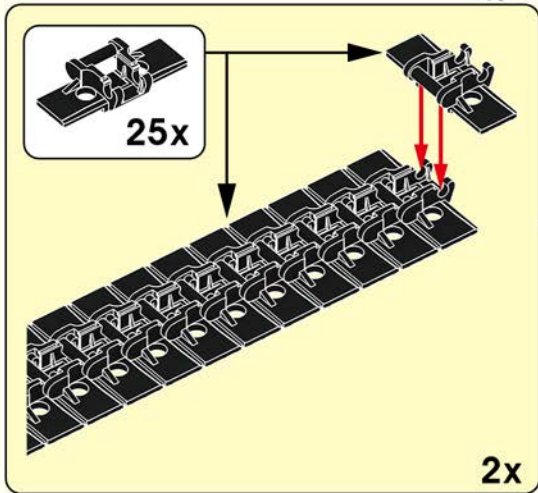
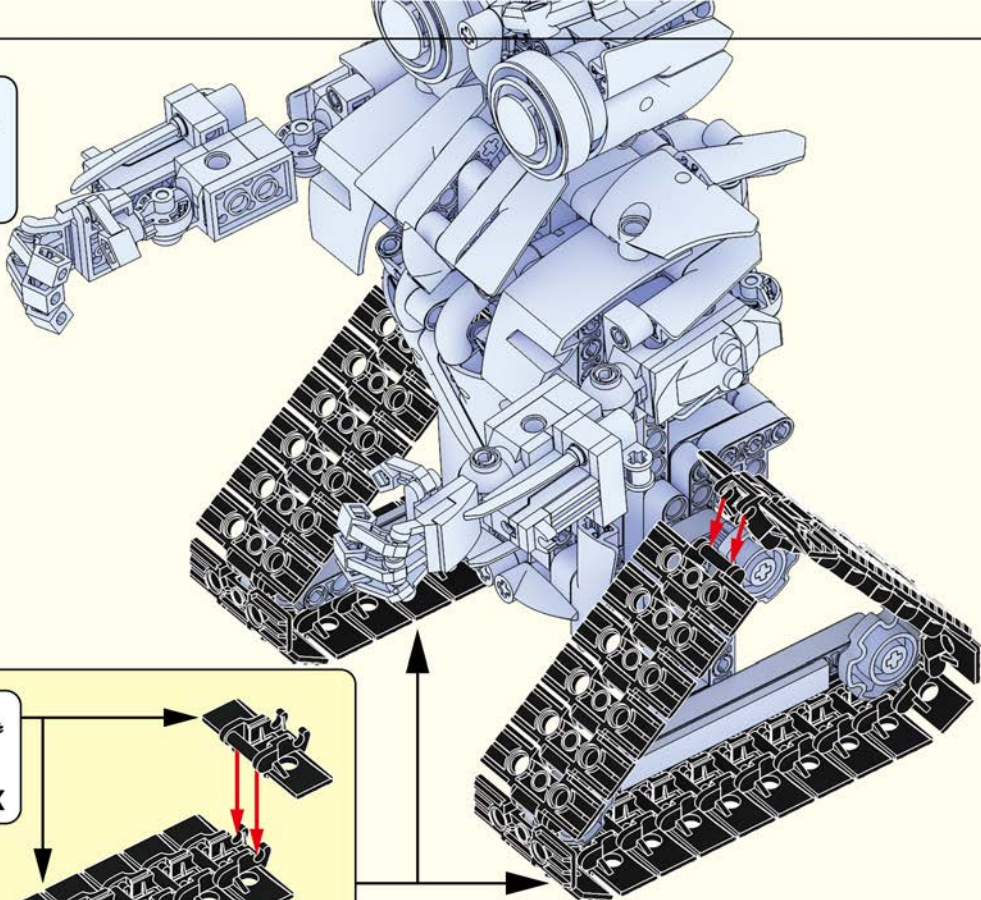


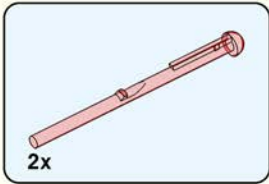
|79|





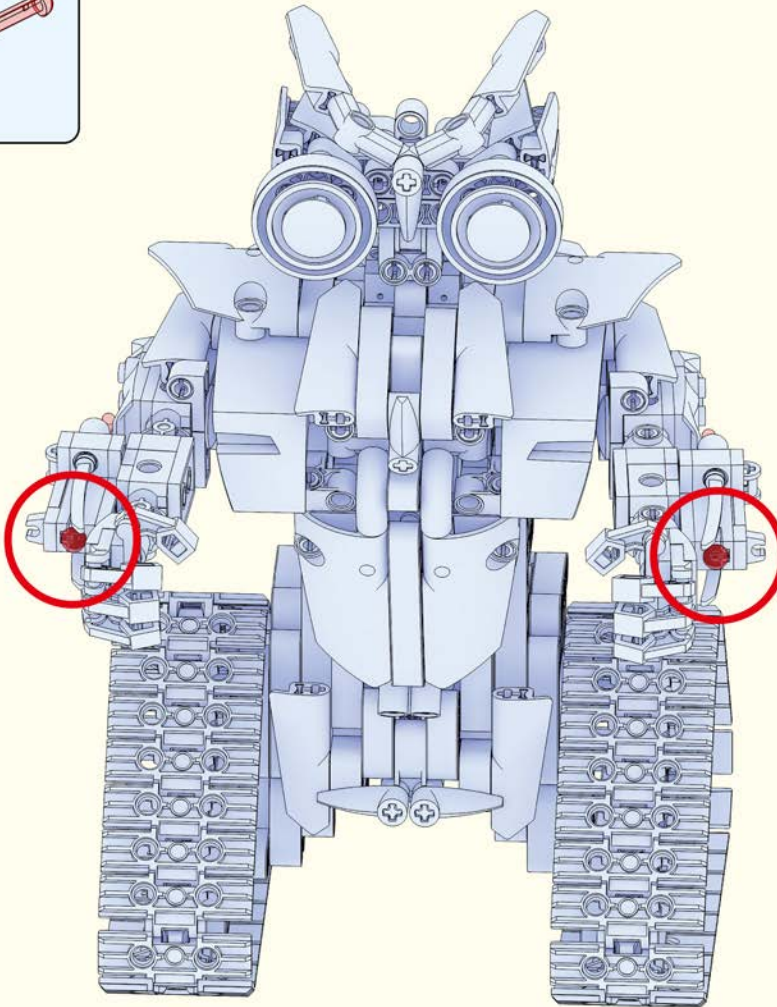
80

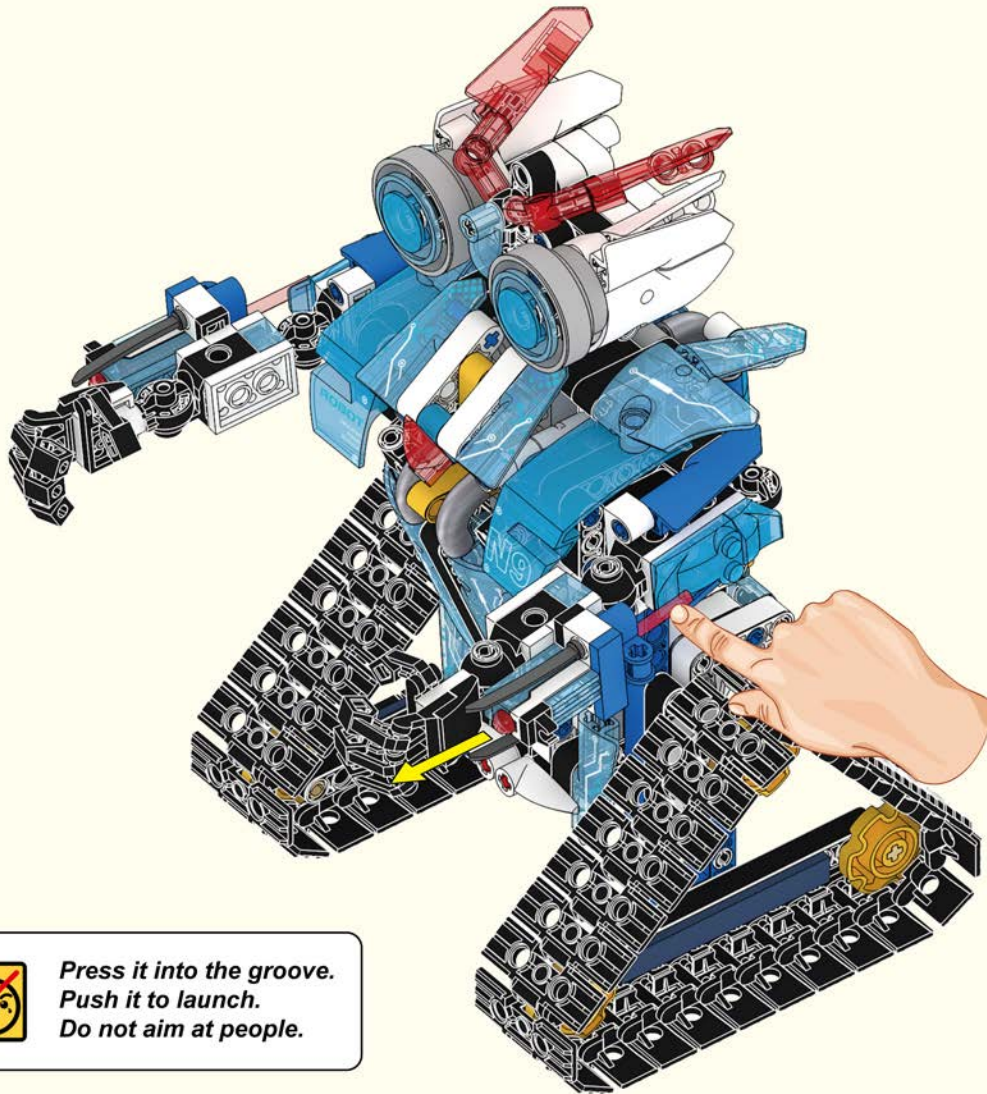




2x

| 81 |





*Press it into the groove.
Push it to launch.
Do not aim at people.*

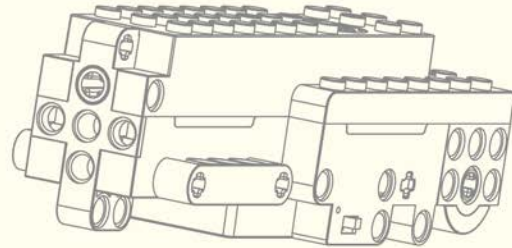


55

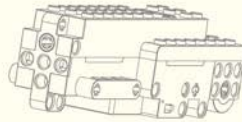
ONLINE www.educiro.com

Customer Service support@educiro.com

Operating instructions



1. Product Preview



Smart Creative Module



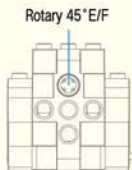
Remote Control



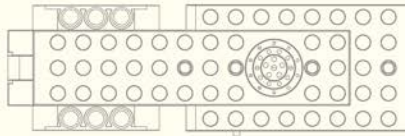
USB Charging Cable

2. Product Description

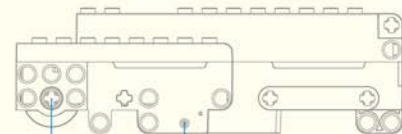
2.1 Smart Creative Module



Front View

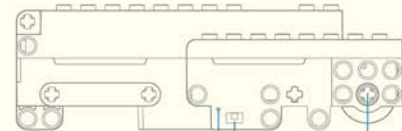


Vertical View



Rotary 360° A

Charging Port



Indicator light

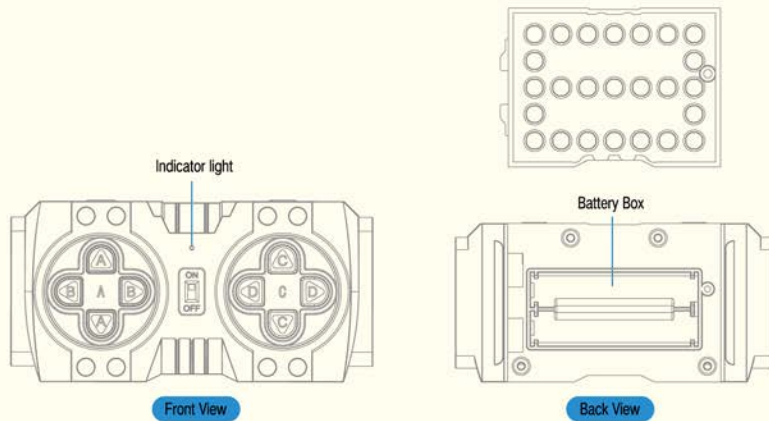
Power

Rotary 360° B

Side View



2.2 Remote Control



3. Method Of Operation

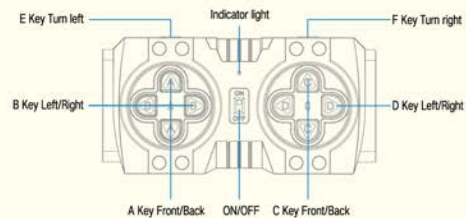
3.1 Remote Control

Install 2 AAA batteries before use.

Turn on the remote control switch.

Remote Control A, C key control forward and backward, B, D key control about, E, F key control demonstration about 45 ° turn.

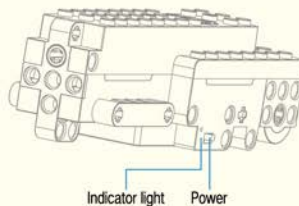
For example, press the A button at the same time for one second to switch the power port forward and reverse, The B, C, D button can be deduced by analogy.



3.2 Smart Creative Module

The main control power switch is "ON" and "OFF" .

The indicator light is always on after the master control and the remote control are linked.

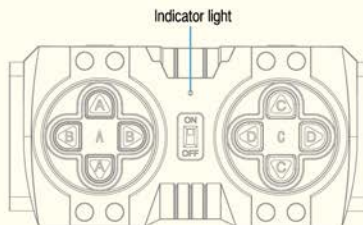


3.3 Connect Operation

First turn on the main control switch, then install the remote control handle battery, turn on the remote control switch, when the main control indicator light is on, the connection is successful.

NOTE:

If the power is not turned on for a long time, repeat the installation of the remote battery connection.



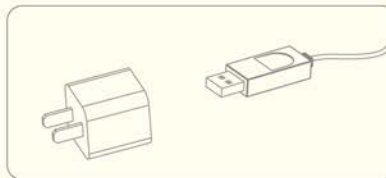
3.4 Charging Operation

Plug the USB charging cable into a computer or a charger with a USB port, and then plug in the charging port of the main control module.

When charging, the indicator light is always on, and the indicator light is off after completion, and the charging time is about 40 minutes.

NOTE:

The charging input voltage cannot exceed 5v, and the current cannot exceed 1A.



4. Download and install APP



Qr code APP

Need the apple version 9.0 and above, the Android version 5.0 and above.

This APP supports most mainstream Android models on the market. Due to the large number of Android models, the system and hardware of different models, some models may not support it.

5. APP operation

Use APP to control: Turn on the main control module and the main control indicator light flashes. Enter the APP interface and click the bluetooth connection, the connection is successful and the main control indicator light is on, you can control and use.

Chinese version



English version



NOTE

Smart creative module cannot be disassembled, and the product must not be subjected to mechanical shocks;
Smart creative module contains batteries, keep it away from fire sources and a high temperature environment of 60°C;
Smart creative module cannot be charged for a long time to avoid danger;
This product contains small parts and is forbidden to be used by children under three years old to avoid accidents.





2x
JXX00947-JX042



1x
JXX01457-JX042



2x
JXX00671-JX042



2x
JXX01516-JX042



4x
JXX00450-JX042



4x
JXX00530-JX042



5x
JXX00800-JX042



50x
JXX00976-JX042



6x
JXX00262-JX042



2x
JXX01396-JX042



6x
JXX00375-JX042



1x
JXX00451-JX042



2x
JXX00798-JX042



1x
JXX01265-JX042



4x
JXX00261-JX042



1x
JXX00670-JX042



2x
JXX00168-JX042



2x
JXX00500-JX042



2x
JX00068-JX042



2x
JXX01435-JX042



2x
JXX01338-JX042



2x
JXX01232-JX042



2x
JXX00594-JX042



6x
JXX00378-JX042



2x
JXX00014-JX042



1x
JXX01392-JX042



2x
JXX00818-JX042



1x
JXX00266-JX042



6x
JXX01433-JX042



8x
JXX00183-JX042



3x
JXX00846-JX042



2x
JXX00038-JX042



4x
JXX01069-JX042



62x
JX0014B-JX042



7x
JXX00267-JX042



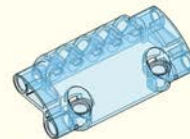
2x
JXX00539-JX042



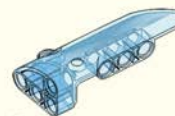
4x
JX00048-JX042



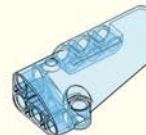
2x
JX00028-JX042



1x
JXX01443-JX060



1x
JXX01504-JX060



1x
JXX01503-JX060



1x
JXX01436-JX060



1x
JXX01437-JX060

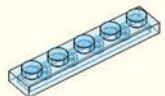


3x
JXX01356-JX060



4x
JX00006-JX042





2x
JXX01859-JX060



3x
JXX01355-JX060



2x
JXX00532-JX060



2x
JX00100-JX060



1x
JXX00957-JX060



2x
JX0017A-JX060



2x
JX00019-JX060



2x
JXX00269-JX014



6x
JX00044-JX014



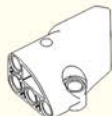
2x
JXX01077-JX014



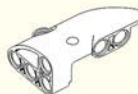
2x
JX00016-JX014



6x
JXX00450-JX014



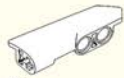
1x
JXX01436-JX014



1x
JXX01437-JX014



2x
JXX01355-JX014



2x
JXX01356-JX014



2x
JX00027-JX014



2x
JXX00531-JX014



4x
JXX00262-JX014



2x
JXX00451-JX014



4x
JX00034-JX014



4x
JXX01710-JX014



8x
JXX00957-JX014



2x
JXX00054-JX014



4x
JXX00264-JX014



2x
JXX01230-JX016



2x
JXX00450-JX016



44x
JXX00502-JX016



16x
JXX01169-JX016



2x
JXX00494-JX014



2x
JXX00980-JX014



2x
JXX01069-JX014



4x
JXX00348-JX014



2x
JXX00800-JX014



2x
JXX01356-JX016



2x
JXX01355-JX016



2x
JXX00688-JX016



2x
JXX00670-JX016



2x
JXX00323-JX016



1x
JXX01762-JX058

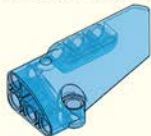


1x
JXX01763-JX058





1x
JXX01504-JX058



1x
JXX01503-JX058



2x
JXX00713-JX058



2x
JXX00195-JX058



2x
JXX00038-JX058



1x
JXX00266-JX058



2x
JX00259-JX039



2x
JXX00026-JX039



4x
JX00114A-JX039



2x
JXX00533-JX062



1x
JXX01356-JX062



1x
JXX01355-JX062



2x
JXX01083-JX062



1x
JXX00957-JX062



4x
JXX00383-JX039



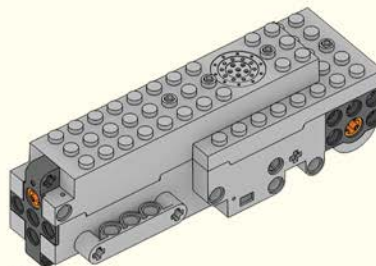
10x
JXX01218-JX039



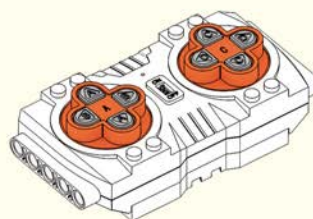
4x
JXX00265-JX039



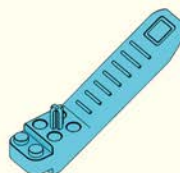
4x
JXX00887-JX022



1x
JXX01822



1x



1x
JXX02213-JX032



2x
JX00016-JX036



2x
JXX00456-JX020



4x
JXX00270-JX020



4x
JXX00288-JX020



1x
JXX00450-JX037



1x
JXX00530-JX037



6x
JXX01022-JX037



4x
JXX01090-JX009



8x
JXX01362-JX033



2x



62

[ONLINE www.educiro.com](http://www.educiro.com) | Customer Service support@educiro.com

Searching “**EDUCIRO**” on Amazon shows all our products and discounts.



B961 (305PCS)

B989 (375PCS)

B988 (553PCS)

**#1 BEST
SELLER**

The EDUCIRO building toys encourage 6+ years old kids to innovate and enjoy endless imaginative play as they plot stories around their models.

RECOMMEND



Rose Bouquet B781 (818PCS)



Chrysanthemum Bonsai B782 (861PCS)



Succulent Bonsai B780 (590PCS)

Searching “**EDUCIRO FLOWERS**” on Amazon shows all our products and discounts.

NEW

Wizarding World Moment



B965 (423 PCS)



B967 (680 PCS)



B974 (477 PCS)

Combines easily with other **EDUCIRO Wizard World Moment** building sets.
Sets sold separately and available for different periods of time.

NEW

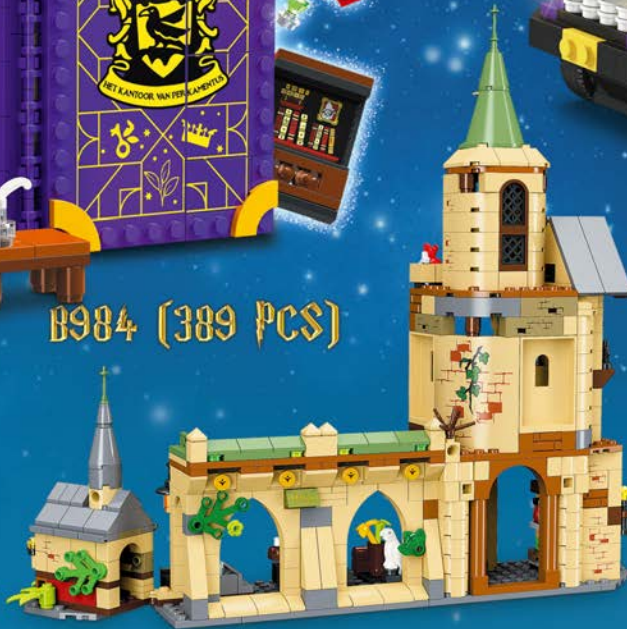
Wizarding World Moment



8984 (389 PCS)



8983 (494 PCS)



8986 (572 PCS)

Combines easily with other **EDUCIRO Wizard World Moment** building sets.
Sets sold separately and available for different periods of time.

HOT

Wizarding World Moment



B777 (871 PCS)

B975 (1423 PCS)

B976 (1072 PCS)

Searching **“EDUCIRO Wizard World Moment”**
shows all our products and discounts.

HOT

Expand the magic with other Magic Castle



8969 (714 PCS)

8970 (493 PCS)

8971 (638 PCS)

Searching "**EDUCIRO Wizard World Moment**"
shows all our products and discounts.

COOL

***Remote Control Building Kit
PLAY TOGETHER WITH YOUR FRIENDS!***



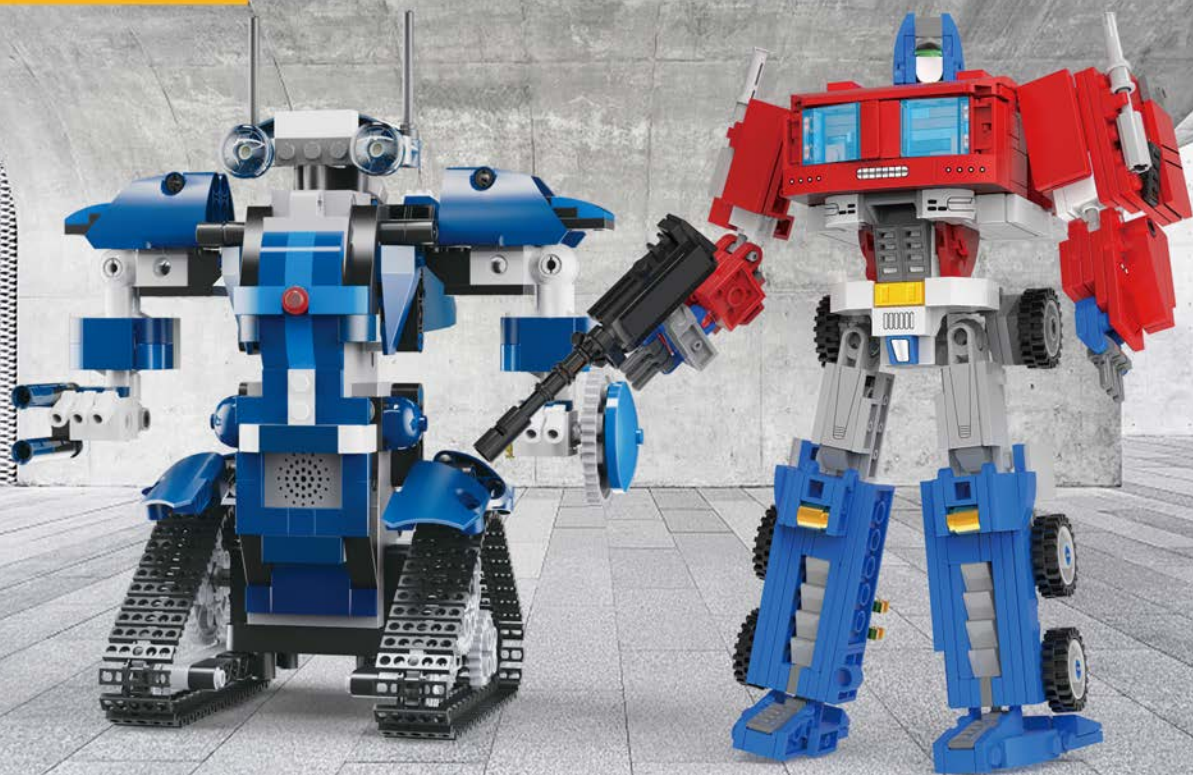
B883 (477PCS)

B886 (468PCS)

Searching "**EDUCIRO ROBOT**" on Amazon
shows all our products and discounts.

COOL

Remote Control Building Kit
PLAY TOGETHER WITH YOUR FRIENDS!



B771 (405PCS)

B987(538PCS)

Searching “**EDUCIRO ROBOT**” on Amazon
shows all our products and discounts.

NEW

Searching "**EDUCIRO**" shows
all our products and discounts.

Daily Blossoms
Potted Greens



B966 (348PCS)

Embellish the environment and create a better life.

NEW

IMPOSSIBLE PIRATE BOTTLE

Searching "**EDUCIRO**" shows all our products and discounts.



B999 (924PCS)

The idea of Impossible Pirate Bottle comes from the ship in a bottle that originates from a traditional craft from the West. The miniaturised ship in the bottle is designed according to the shape of Queen Anne's Revenge. The ship base is added with pirate elements.



Fully charge 40 mins
Play 35 mins

EDUCIRO

PARTS-SERVICE-REPAIR

Email: support@educiro.com

Website: www.educiro.com

Business Hours: Mon.-Sat, 9 a.m. to 6 p.m. (GMT+08:00)

EN

MANUFACTURER: Shantou Jiestar Toys Industry Co., Ltd.
PLACE OF PRODUCTION: Beilong Industrial Park, Guangyi Street, Chenghai District, Shantou, Guangdong, China
EMAIL: Info@g-p.hk

FR

FABRICANT: Shantou Jiestar Toys Industry Co., Ltd.
LIEU DE PRODUCTION: Zone industrielle de Beilong, rue Guangyi, District de Chenghai, Shantou, Guangdong, Chine
COURRIEL: Info@g-p.hk

ATTENTION:

- EN** ▲ **Warning!** CHOKING HAZARD-Small parts. Not for children under 3 years old. Packing must be retained since it contains important information.
- FR** ▲ **Avertissement!** Risque d'étouffement - petites pièces attachées à l'intérieur. Ne convient pas aux enfants de moins de 3 ans. Cette boîte contient des informations importantes, veuillez la conserver pour référence future.
- DE** ▲ **Achtung!** Erstickungsgefahr - Kleinteile. Nicht für Kinder unter 3 Jahren. Bitte bewahren Sie die Packung für weitere Verwendung, die enthält wichtige Informationen und Warnhinweise.
- ES** ▲ **Advertencia!** Peligro de asfixia - piezas pequeñas unidas en el interior. No apto para niños menores de 3 años. Esta caja contiene información importante, por favor guárdela para futuras referencias.
- IT** ▲ **Avvertenza!** Pericolo di soffocamento - montaggio di piccole parti che non possono essere utilizzate da bambini di età inferiore a 3 anni. Questo pacchetto contiene informazioni importanti e vi prego di riservarlo per futuri usi di riferimento.
- JP** ▲ **注意事項!** 窒息の危険があります。小さい部品がありますので、三歳以下の子供に適用する玩具でございません。パッケージには重要な情報がありますので、参考するため、しっかり保存してください。