

**EDUCIRO**

# UNIQUE 3-IN-1 FUN

STEAM TRAINO • MOTORCYCLE • TRACTOR

**STEM**  
3-IN-1

B961 | 6+ AGES | 305 Pieces



**WARNING:**  
CHOKING HAZARD - small parts,  
Not for children under 3 years.

Kids love staying at home?  
We hear some vehicles over here could do with a bit of changes.



# Thank you for choosing EDUCIRO

**About Us:** We are Educiro! We create quality building toys and science kits that are both entertaining and educational. Our products are worth every penny and full of clever details. Our company develops the coolest products for kids and adults because they know that if you want to grow your brain and be the smartest one in the room, you are only going to do it if it's fun!

This creative gift is perfect for adults and kids, which will improve kids' hand-eye coordination and creativity, meanwhile cultivate parent-child relationship.

If you are not satisfied with the kit, we will refund you 100% of the money, no questions asked.



Share your photos and video with us by posting with [@EDUCIRO](#) or [#EDUCIRO](#)  
Official Website: [www.educiro.com](http://www.educiro.com)

Our services at: [Support@educiro.com](mailto:Support@educiro.com)

Find building instructions online; let us know if a brick has broken; tell us if something is missing from your new set.

## How to Service?

Tell us with theme name (EDUCIRO UNIQUE 3IN1 FUN) Or set number (Educiro B961) and you'll get instruction manuals and customer service for new sets.



Searching "EDUCIRO" shows all the products and discounts  
**BIGGEST OFFER**  
**EVERYDAY**  
**UP TO 50%**  
**DISCOUNT**

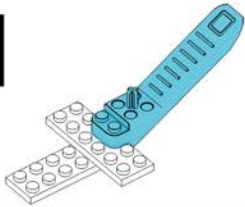




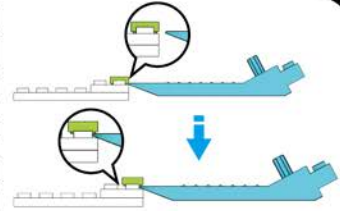
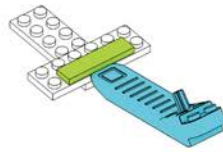
# Brick Separator Guide



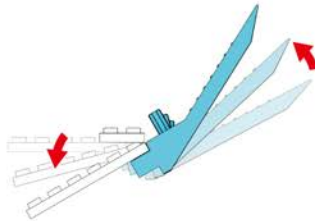
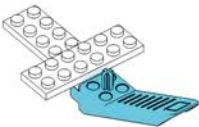
1



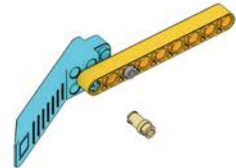
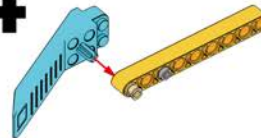
3



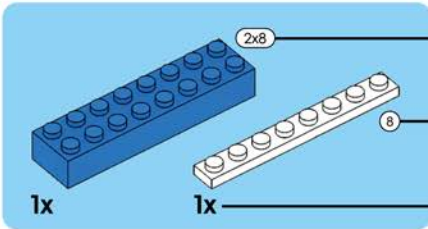
2



4



# Quick Start Guide



2\*8 shows that the width of the part is 2 block particles and the length is 8 block particles.

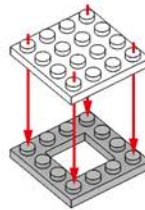
8 means that the length is 8 block particles.

**XX**

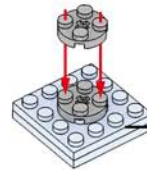
Build in numerical order.

The number of parts required for this step.

**01**



**02**



The assembled bricks are shown in light color.



Turn over



Be Careful!

x

Sticker

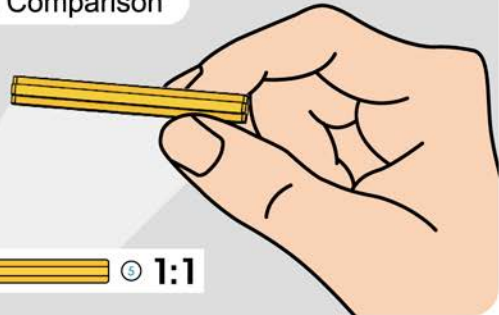
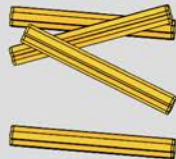


Hard!  
Need adult assistance to complete.



Indicates that the building block needs to apply the corresponding direction force.

1:1 Label Length Comparison

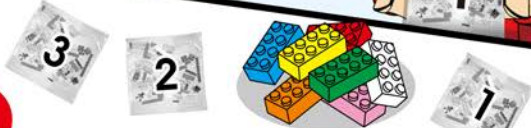




## Building Suggestion and After-Sales Service



Unpack according to the order of building block bags



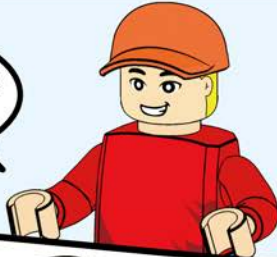
1

Sort by part color or shape



2

Sort the parts according to the instructions



3

1. Get instructions PLUS.
2. Get building video.
3. More products.
4. Give us your short feedback about our products.

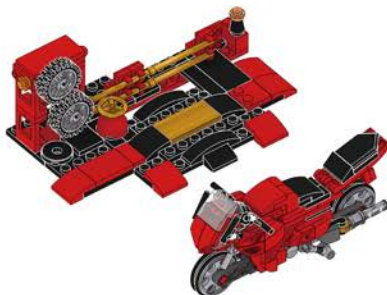


••• This set contains the following brick bags instruction •••

## MAIN FORM



## SECOND FORM



## THIRD FORM



## CONTENTS

Main Form.....

1

Second Form.....

24

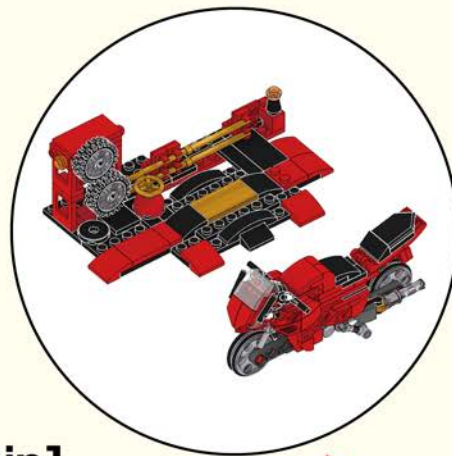
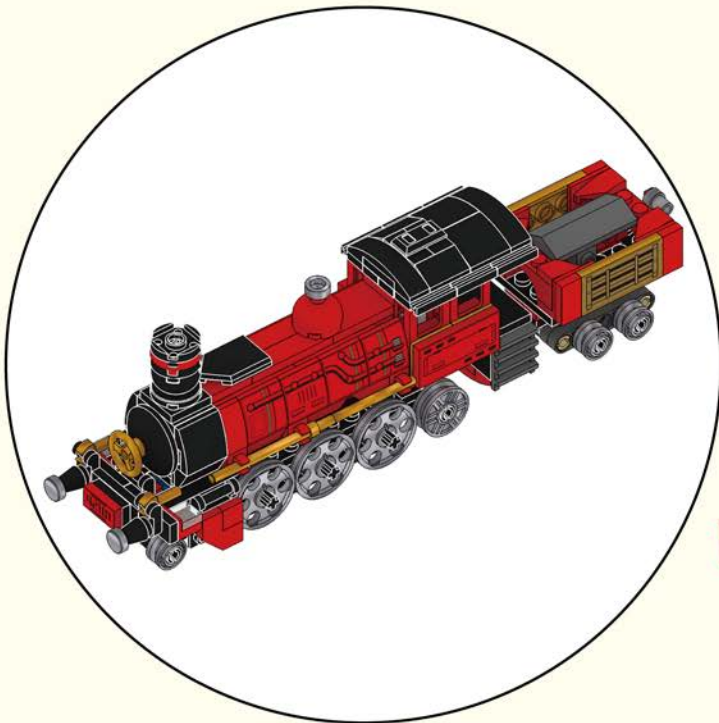
Third Form.....

40

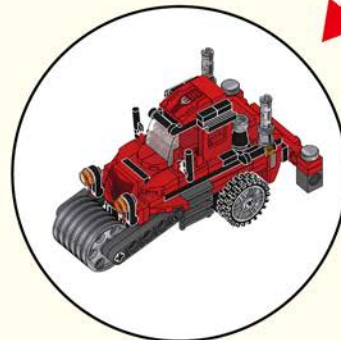
Part List.....

51

# 1 MAIN FORM



**3in1  
Transforms**



01

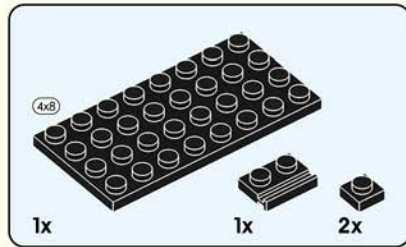
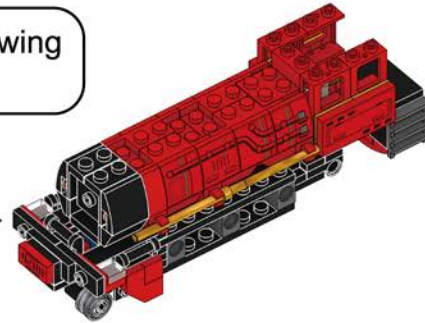
ONLINE [www.educiro.com](http://www.educiro.com)

Customer Service [support@educiro.com](mailto:support@educiro.com)

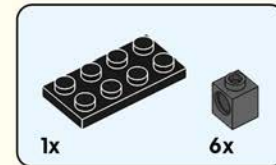
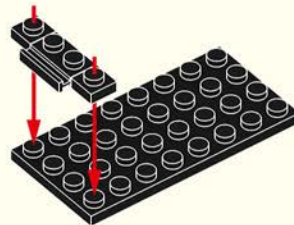




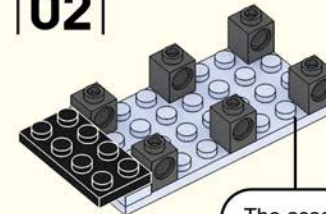
Completed drawing  
of bag No. 1



**01**



**02**



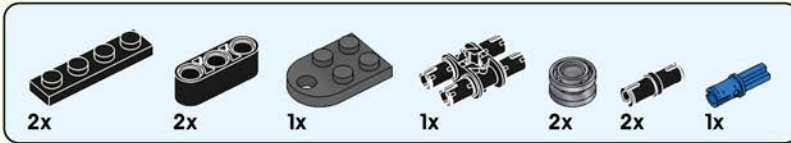
The assembled bricks  
are shown in light color.



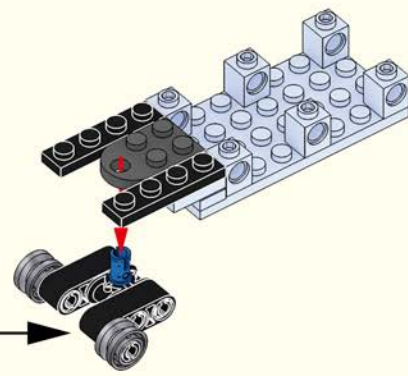
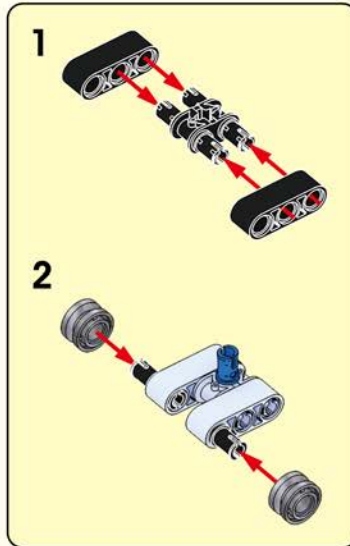
02

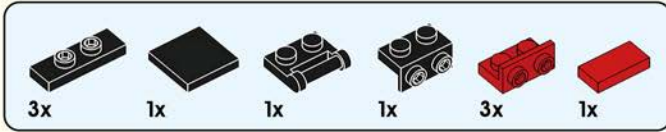
ONLINE [www.educiro.com](http://www.educiro.com)

Customer Service [support@educiro.com](mailto:support@educiro.com)

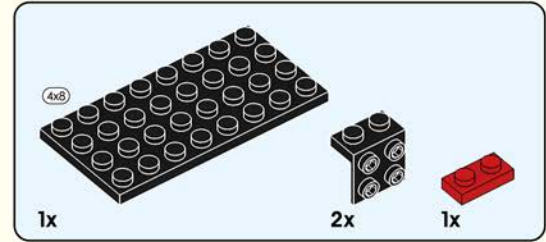
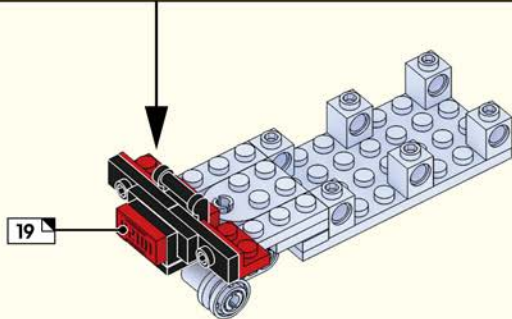
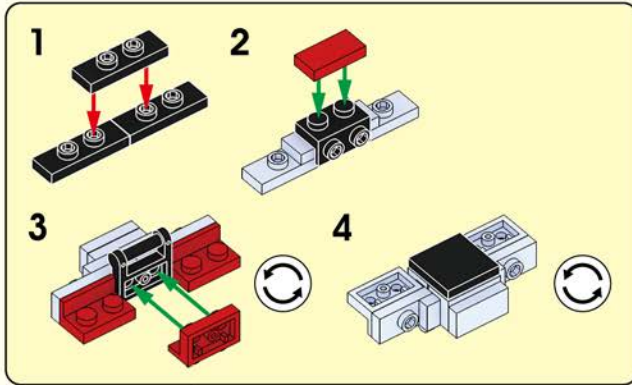


# 03

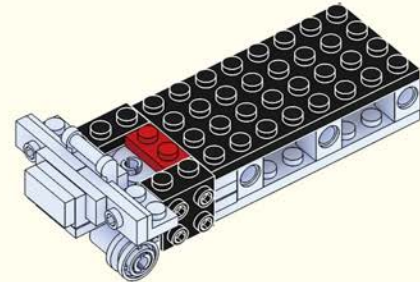




**|04|**



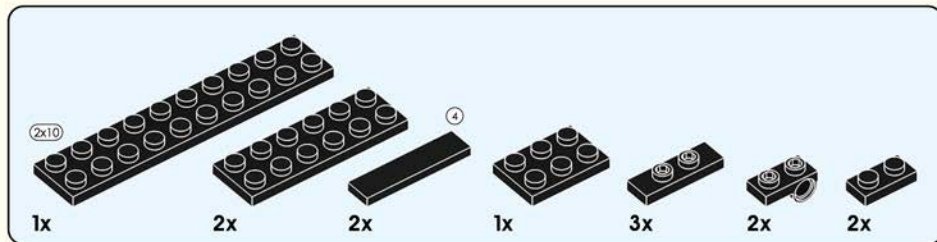
**|05|**



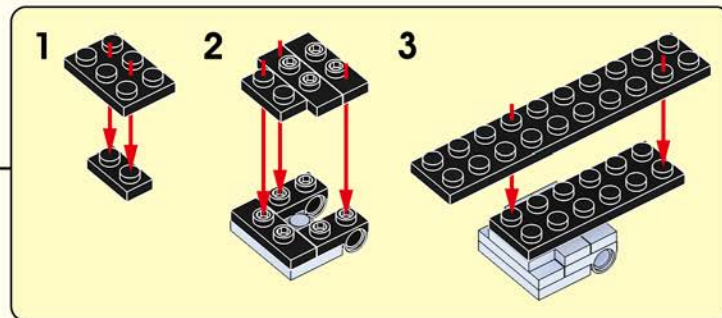
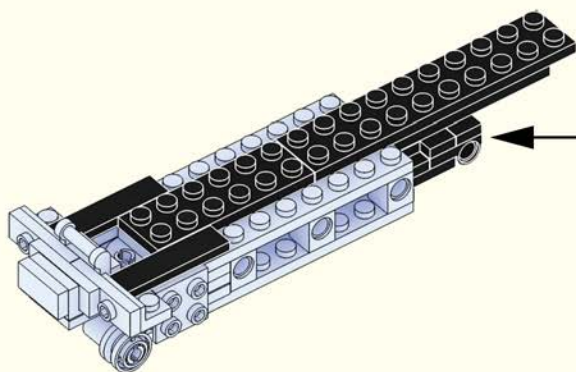
04

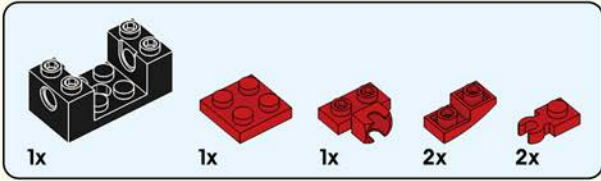
ONLINE [www.educiro.com](http://www.educiro.com)

Customer Service [support@educiro.com](mailto:support@educiro.com)

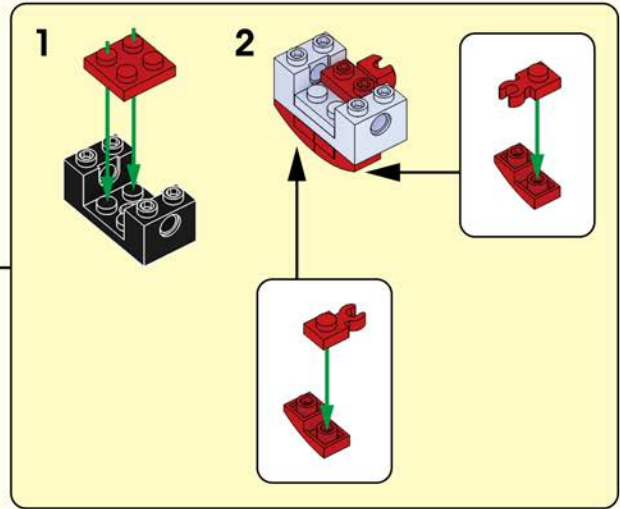
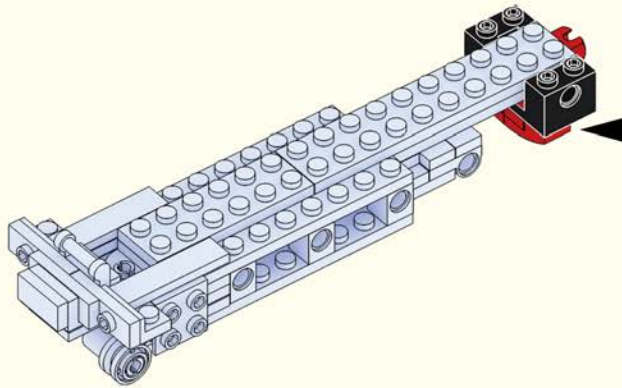


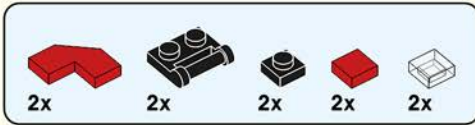
**06**



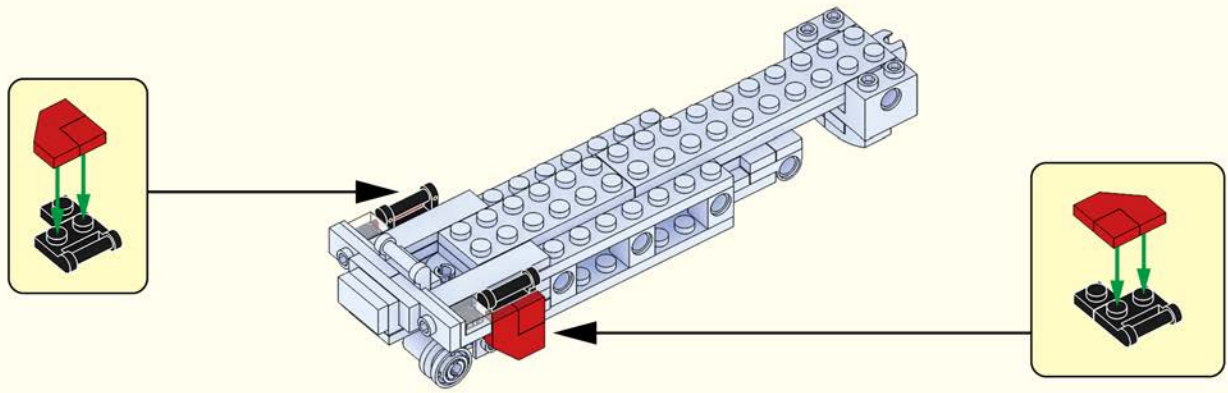


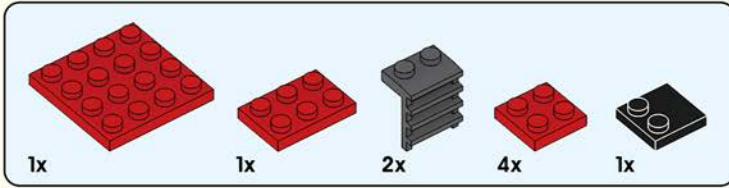
07 |



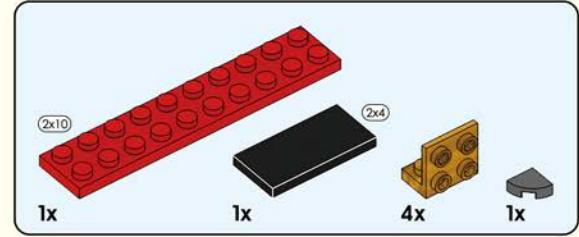
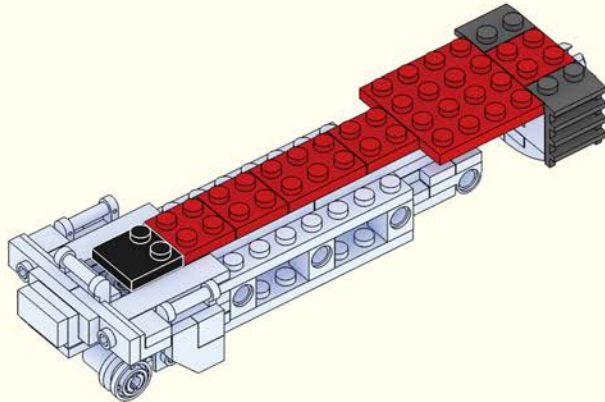


| 08 |

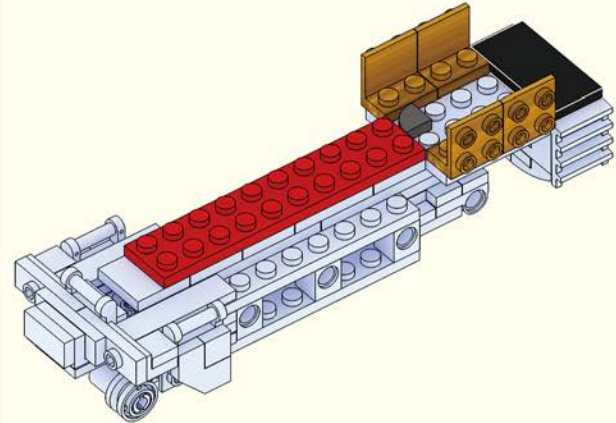


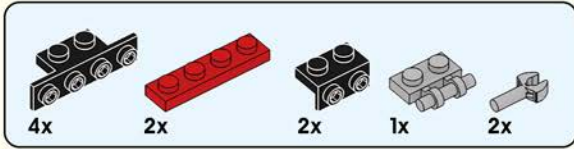


| 09 |

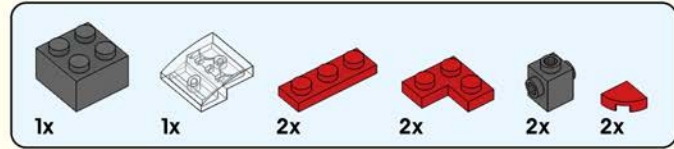
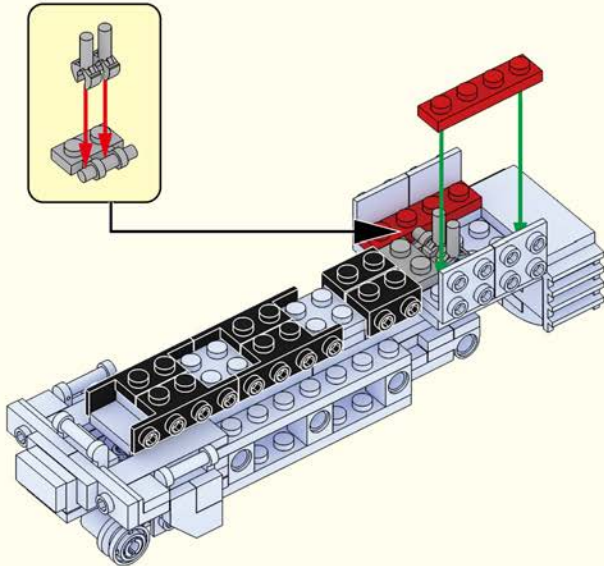


| 10 |

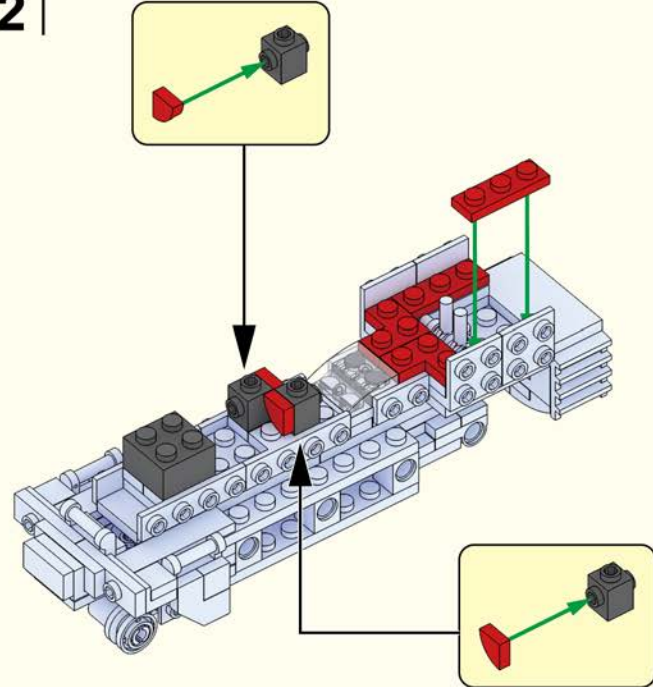




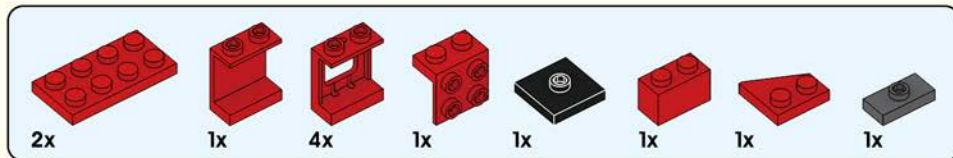
11



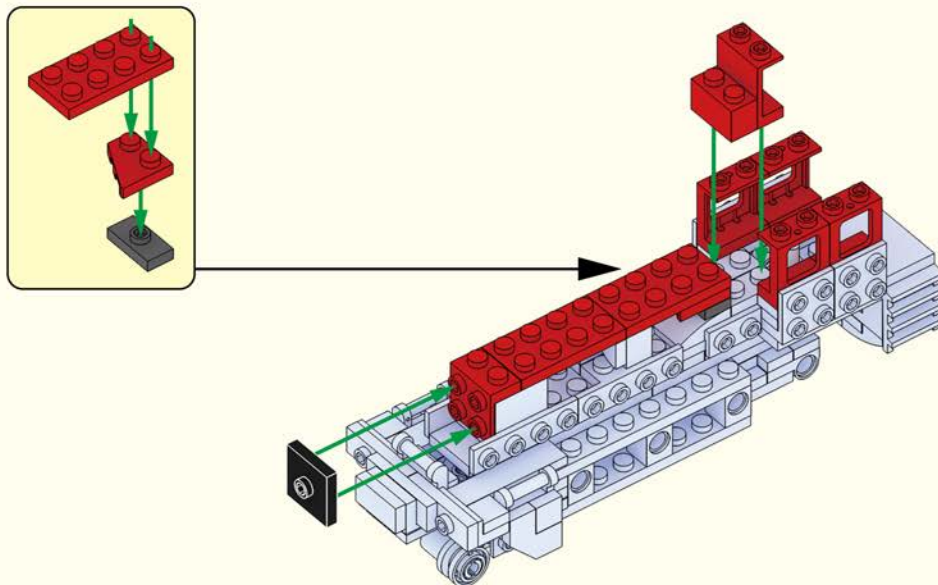
12

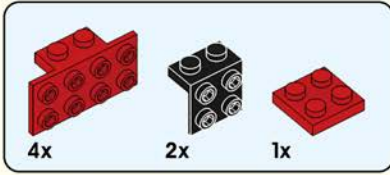




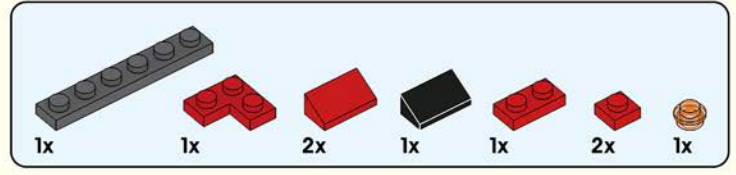
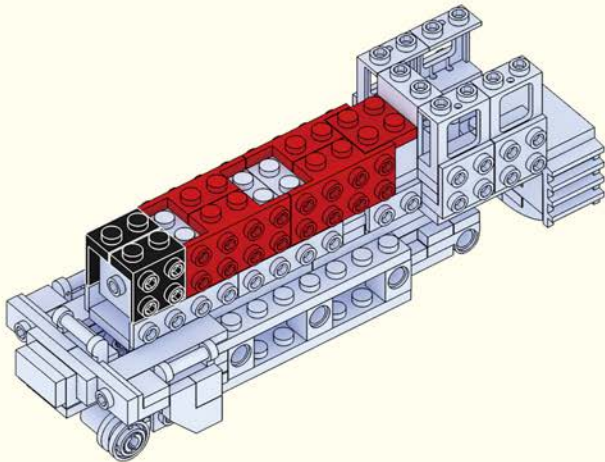


| 13 |

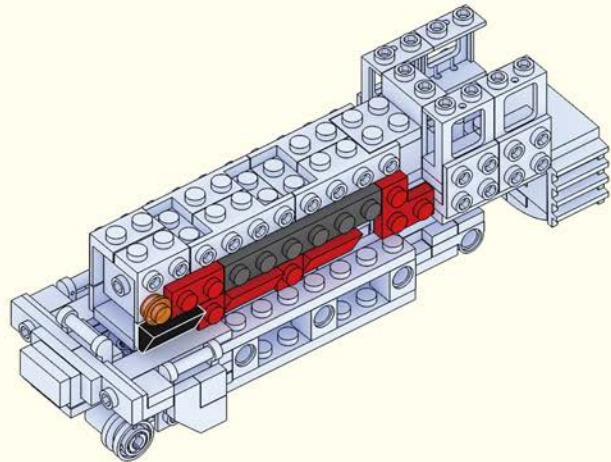


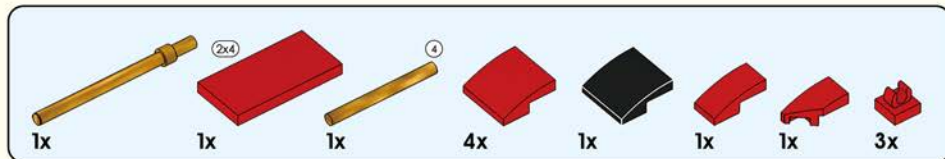


| 14 |

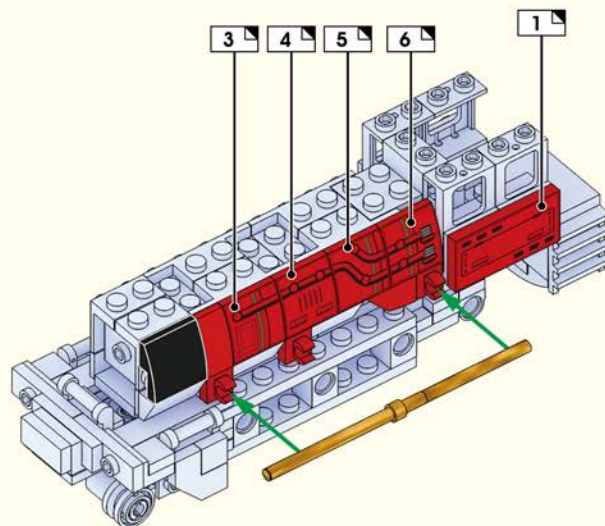


| 15 |





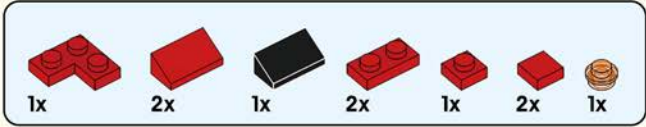
16



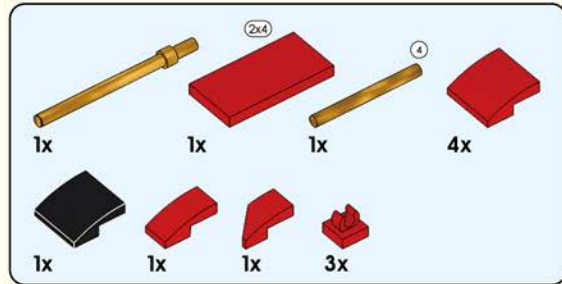
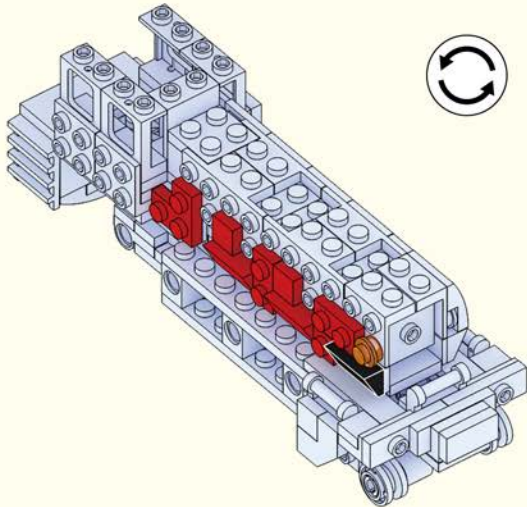
12

ONLINE [www.educiro.com](http://www.educiro.com)

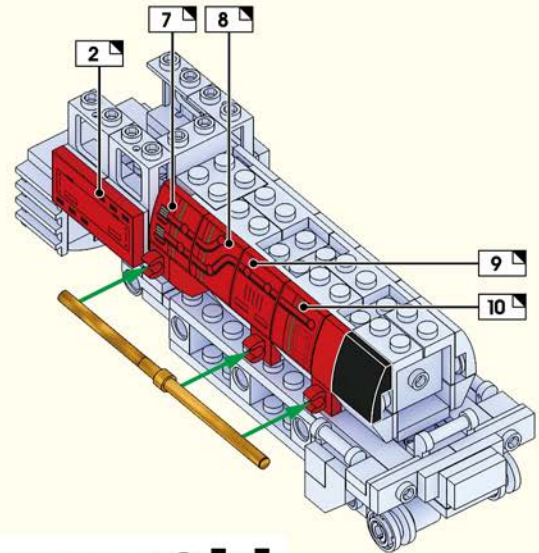
Customer Service [support@educiro.com](mailto:support@educiro.com)

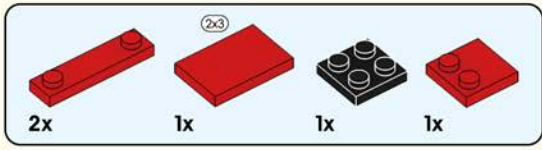
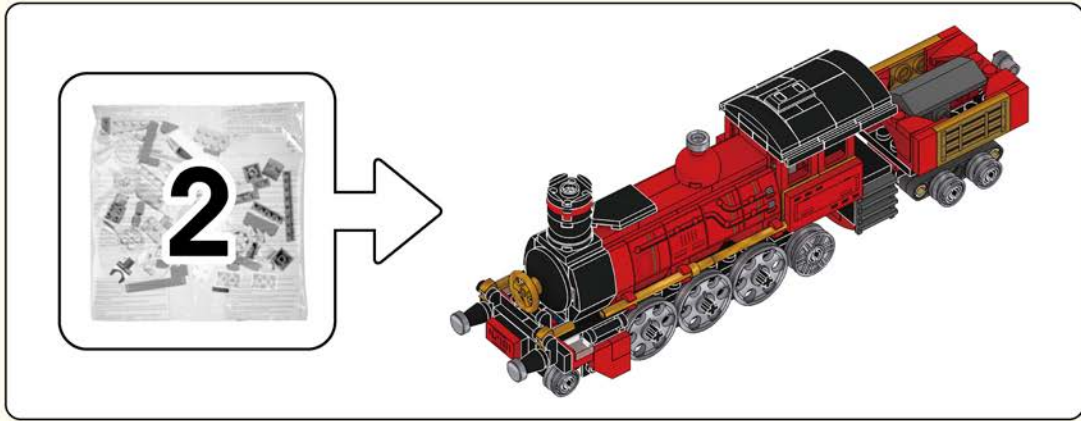


17

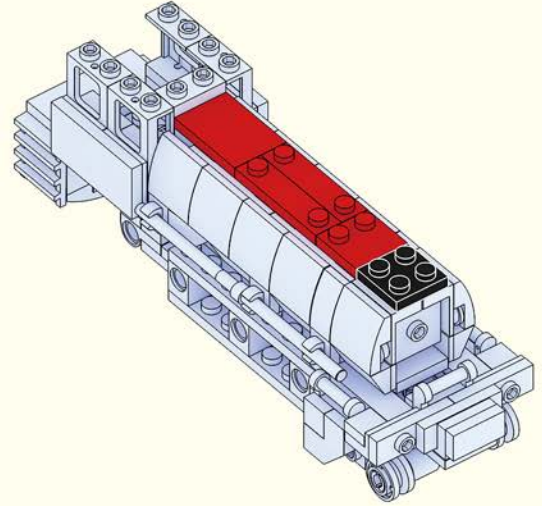


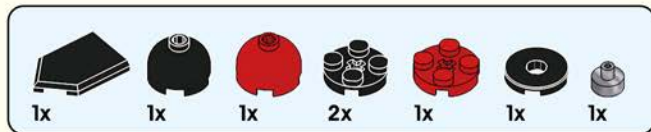
18



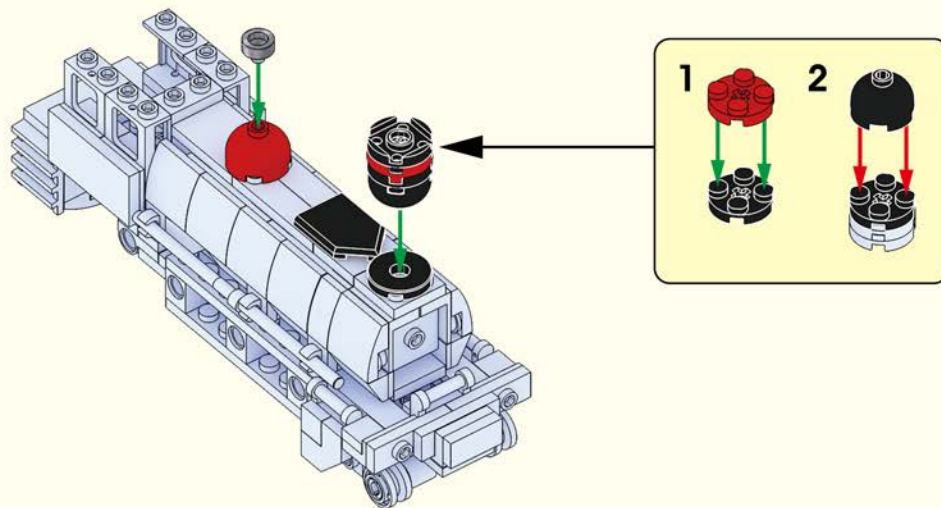


| 19 |





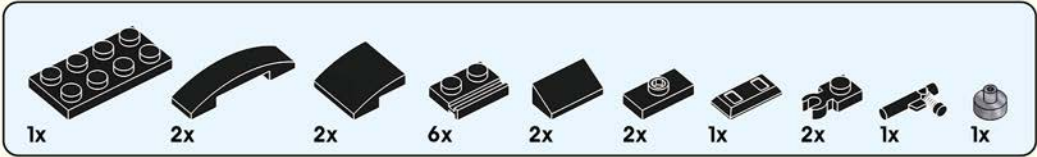
| 20 |



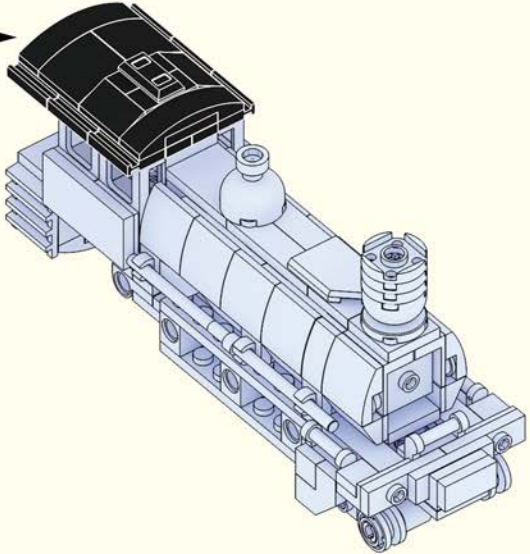
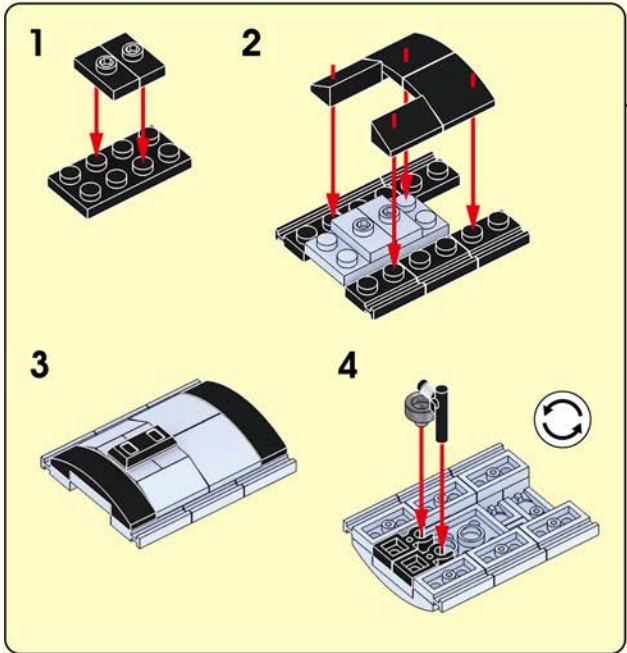
15

| ONLINE [www.educiro.com](http://www.educiro.com) |

Customer Service [support@educiro.com](mailto:support@educiro.com)

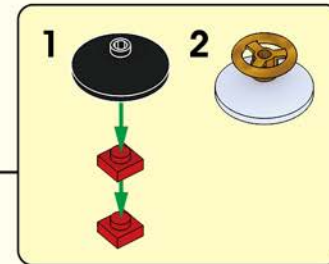
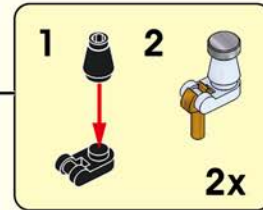
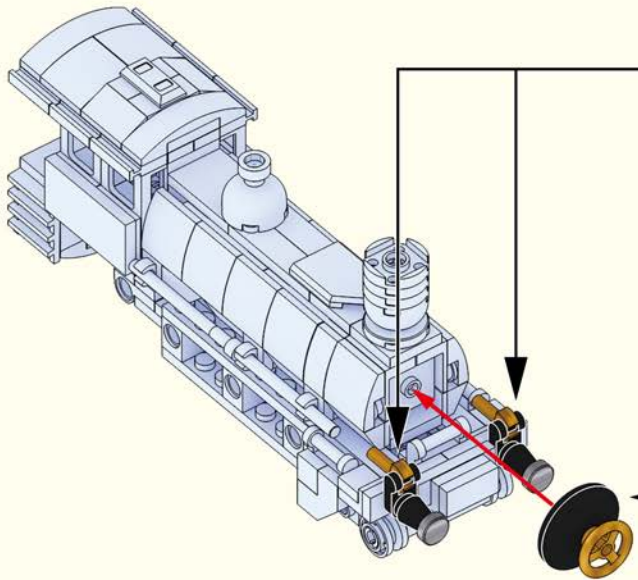


# 21





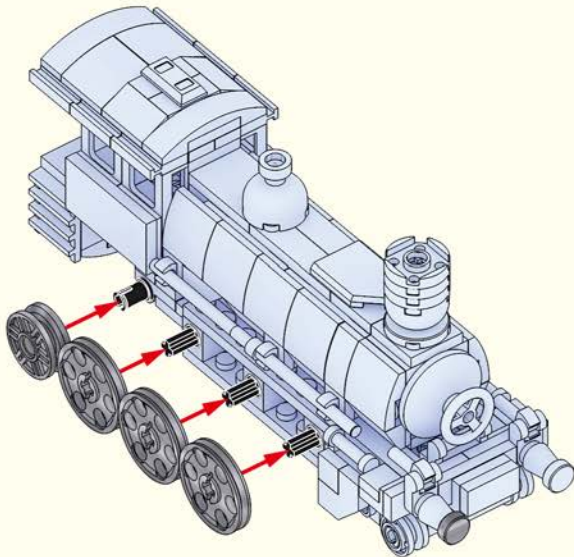
22



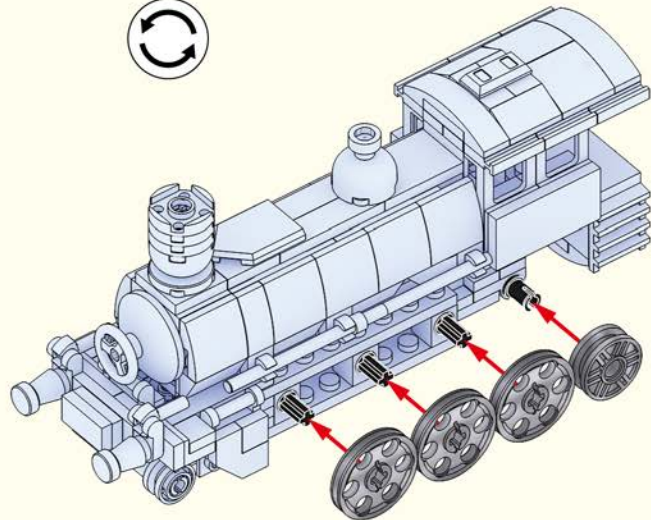




| 23 |



| 24 |



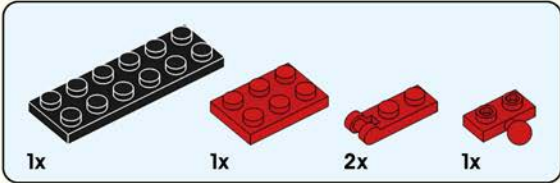
18

ONLINE [www.educiro.com](http://www.educiro.com)

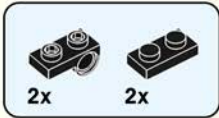
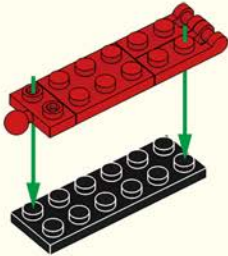
Customer Service [support@educiro.com](mailto:support@educiro.com)



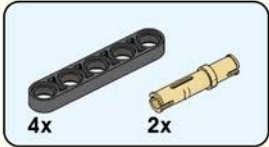
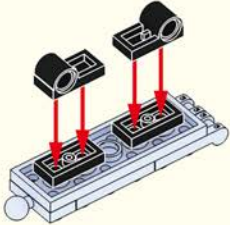
The module  
to be built



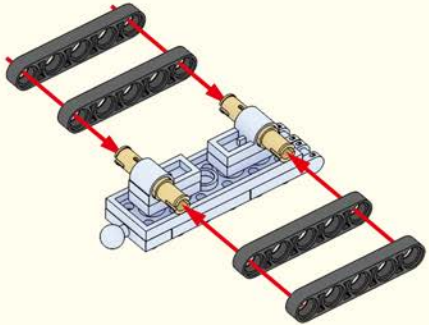
| 25 |



| 26 |

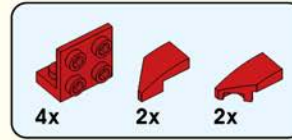
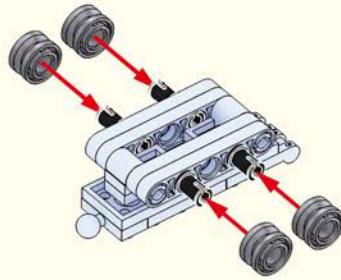


| 27 |

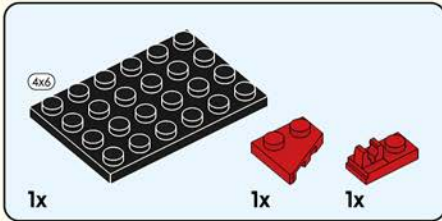
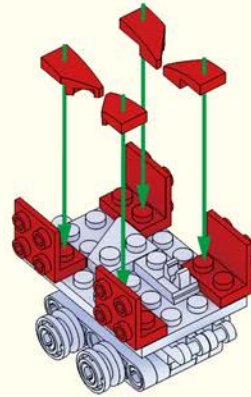




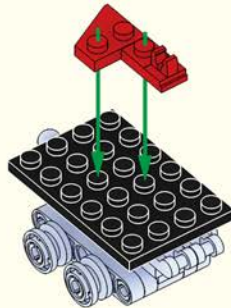
28

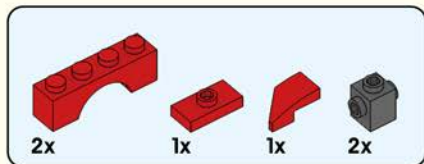


30

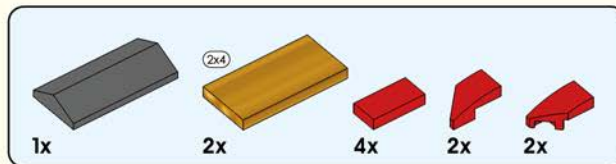
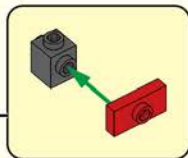
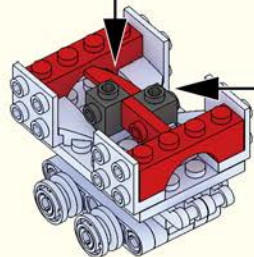
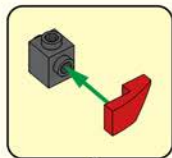


29

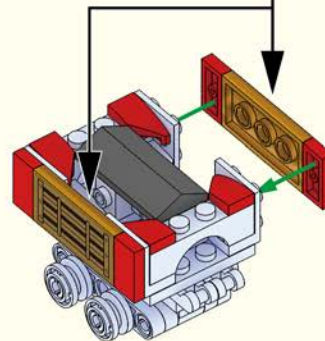
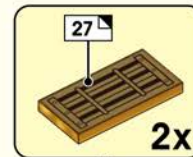


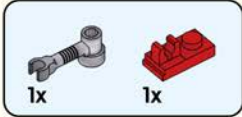


**| 31 |**

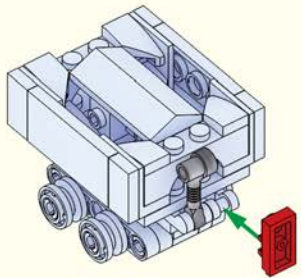


**| 32 |**

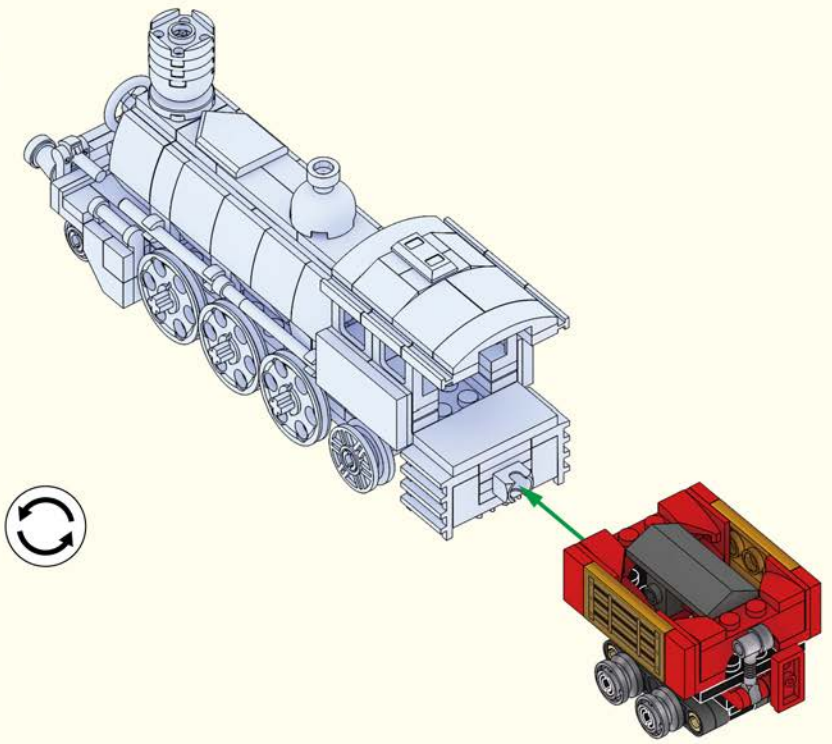




| 33 |



| 34 |

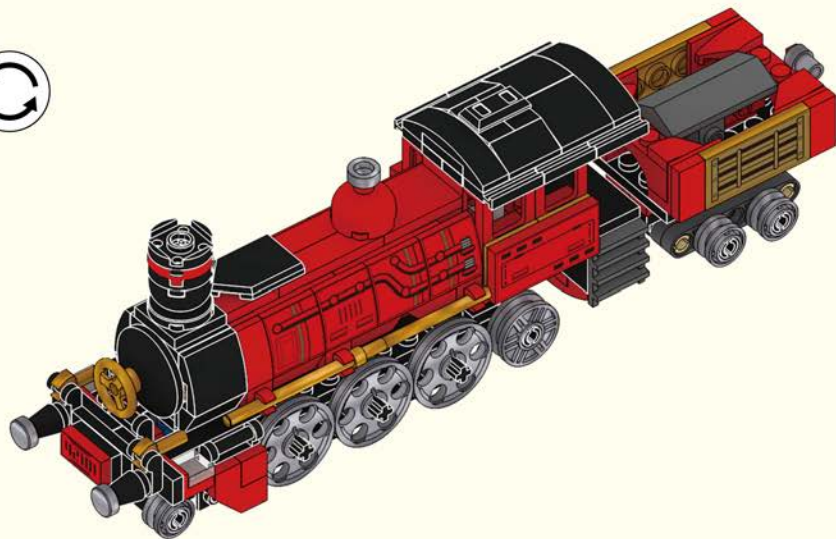


22

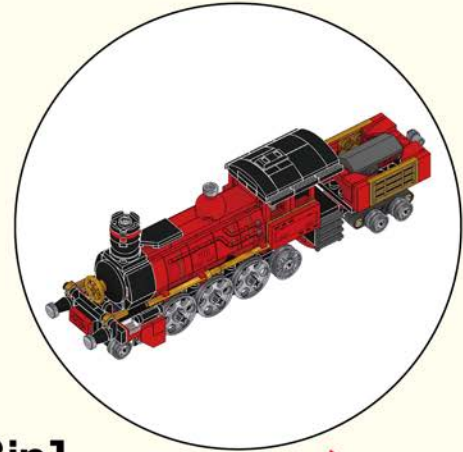
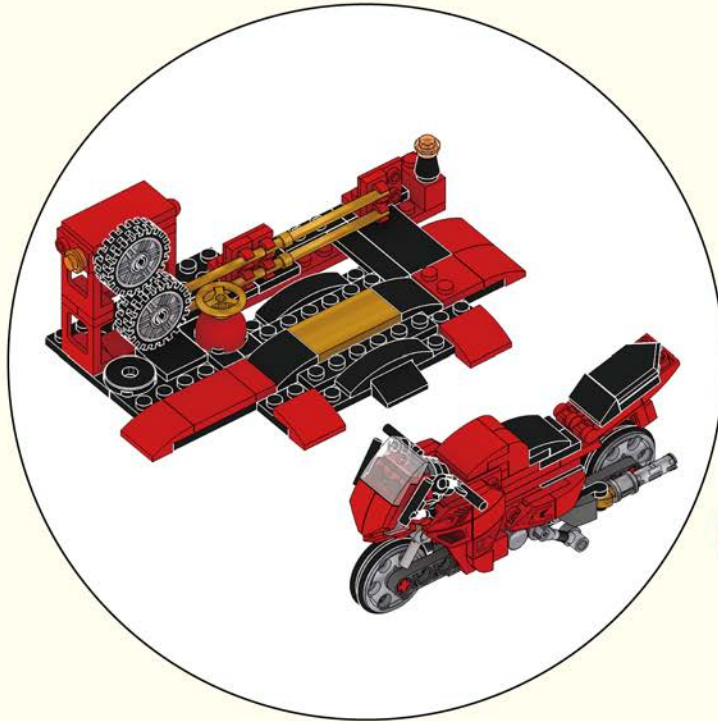
| ONLINE [www.educiro.com](http://www.educiro.com) |

Customer Service [support@educiro.com](mailto:support@educiro.com)

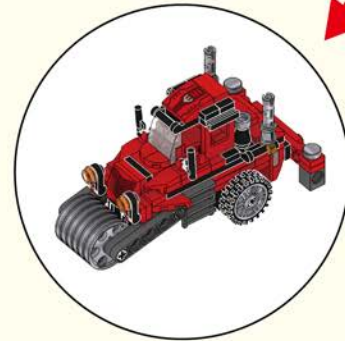
| 35 |



## 2 SECOND FORM

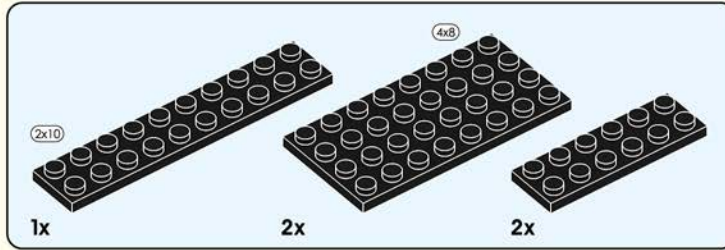


**3in1  
Transforms**

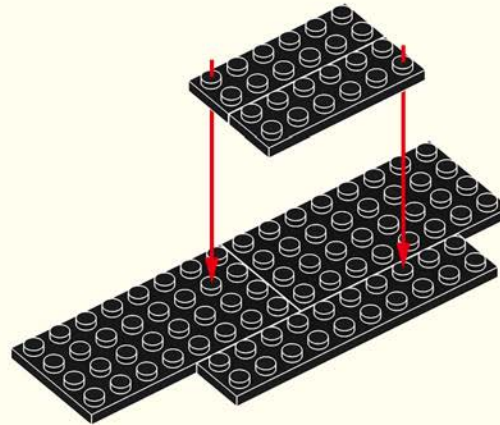


24

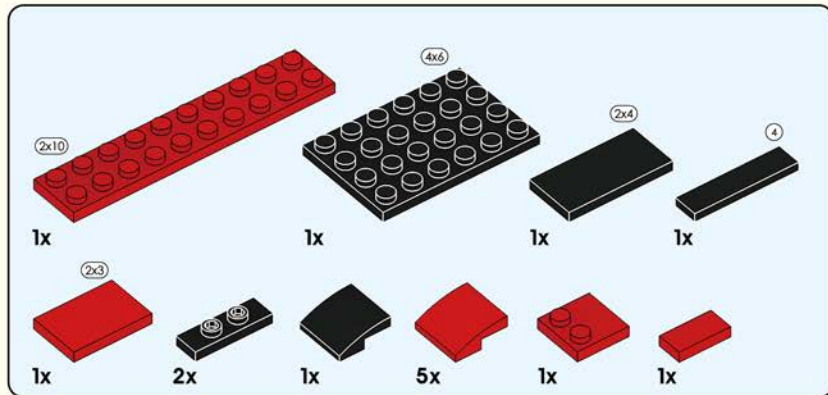
ONLINE [www.educiro.com](http://www.educiro.com) | Customer Service [support@educiro.com](mailto:support@educiro.com)



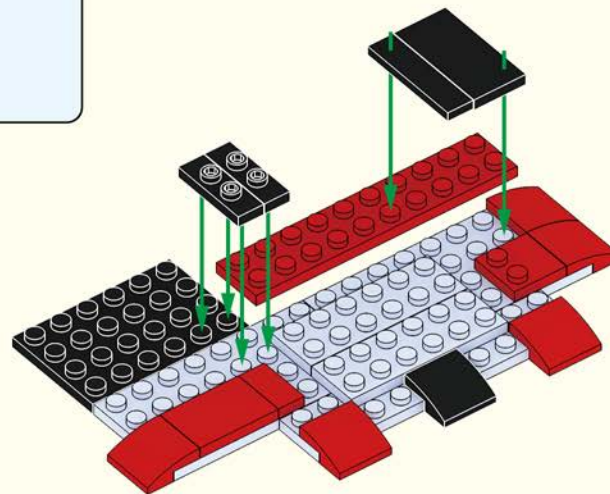
| 01 |

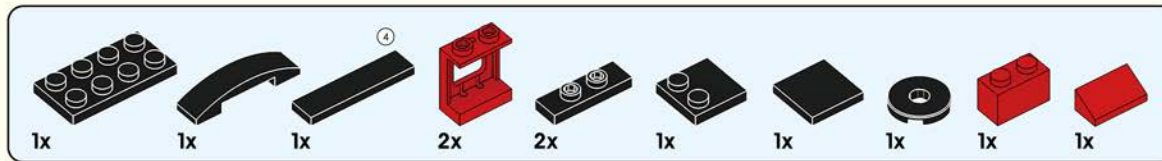




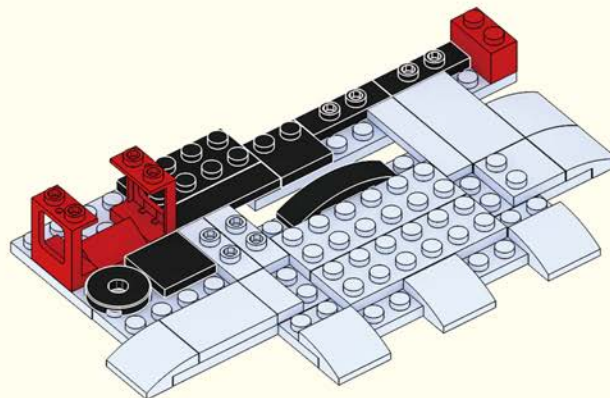


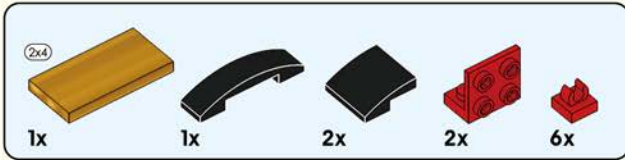
**| 02 |**



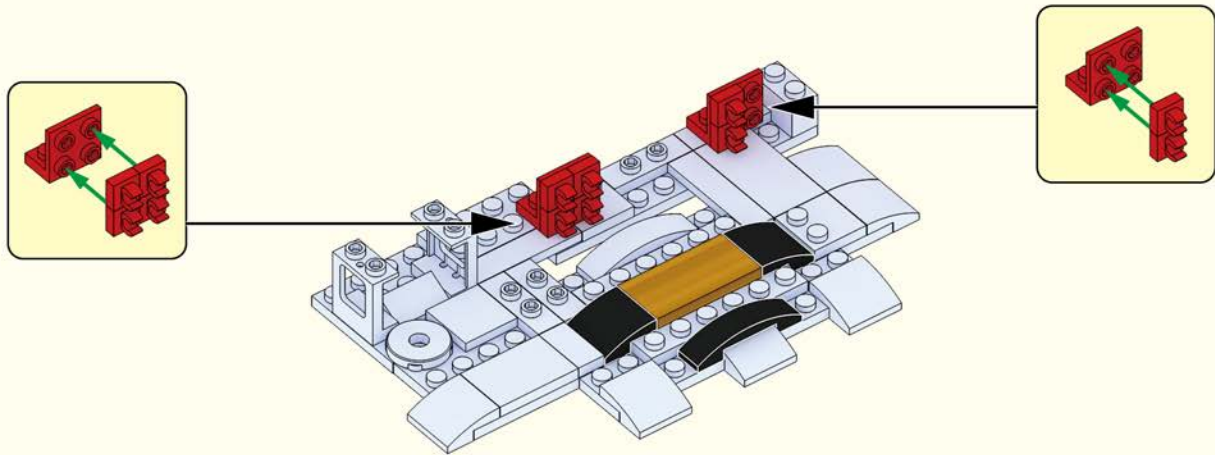


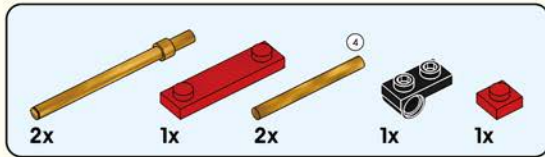
**| 03 |**



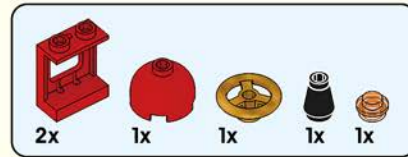
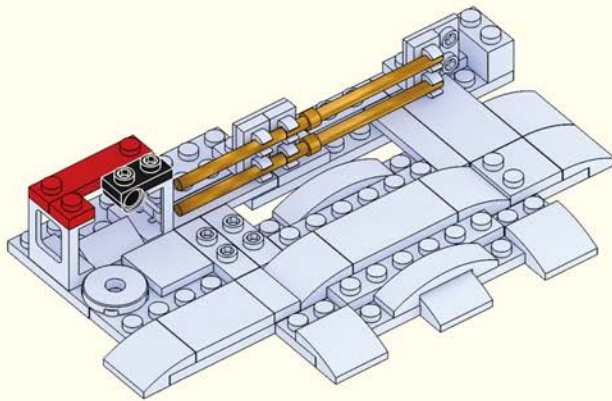


# |04|

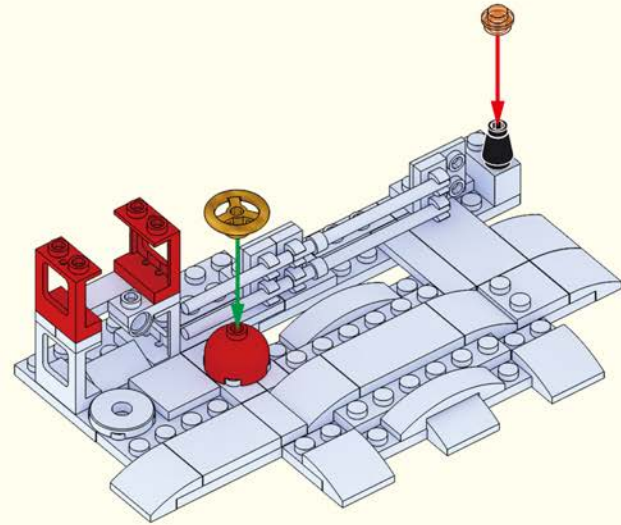


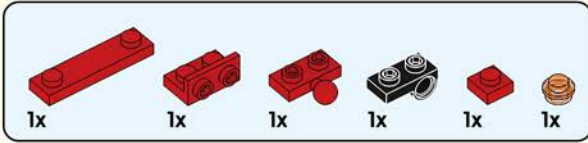


|05|

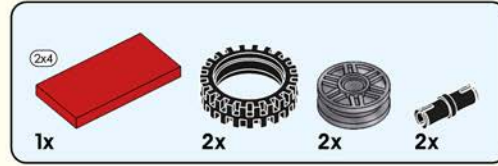
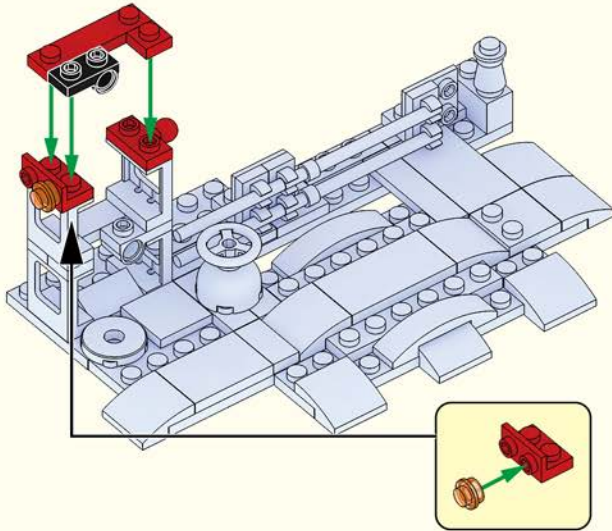


|06|

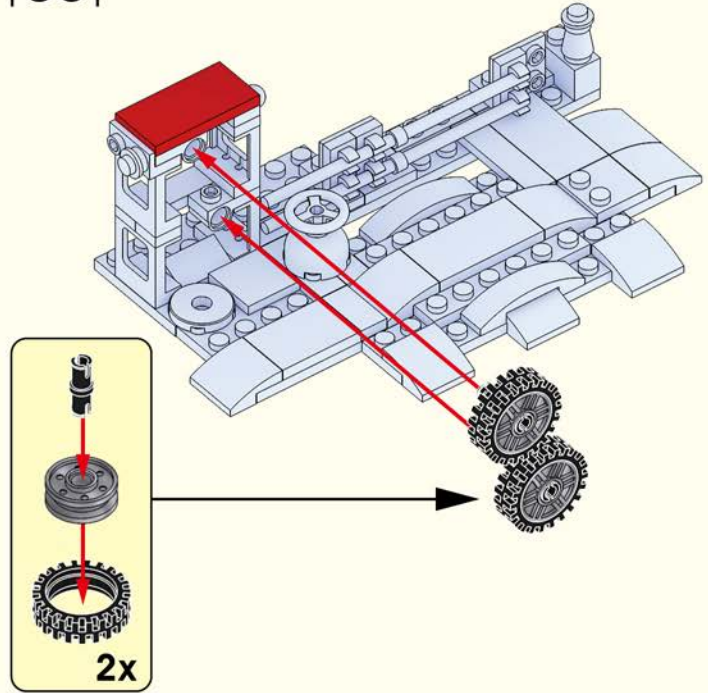


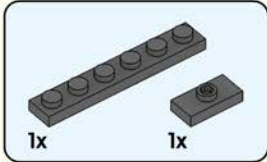


**07**

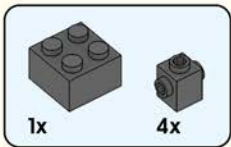
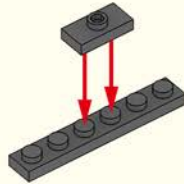


**08**

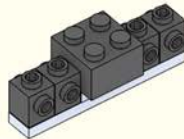




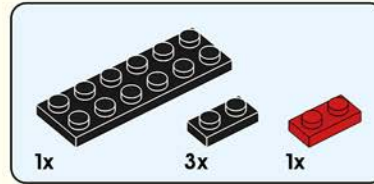
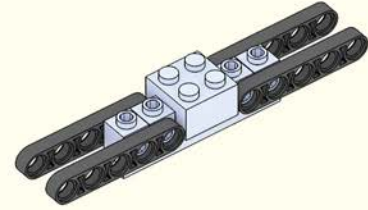
**| 01 |**



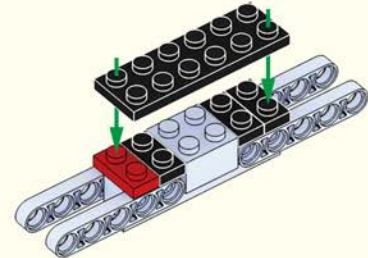
**| 02 |**

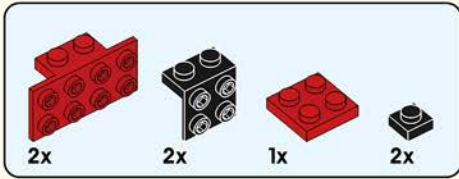


**| 03 |**

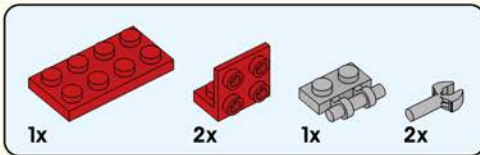
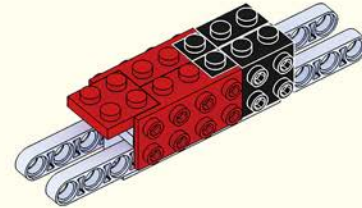


**| 04 |**

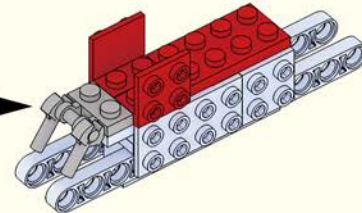
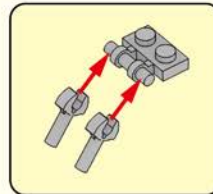


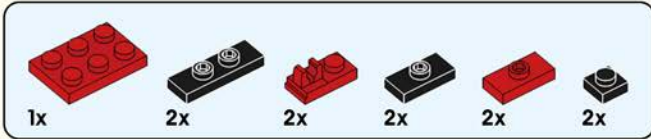


| 05 |

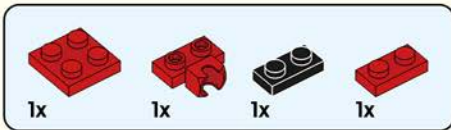
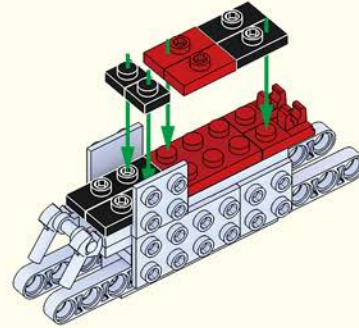


| 06 |

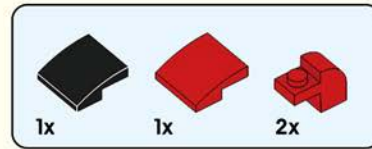
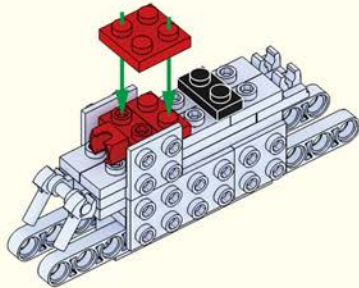




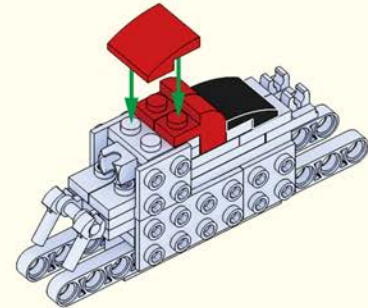
**07**



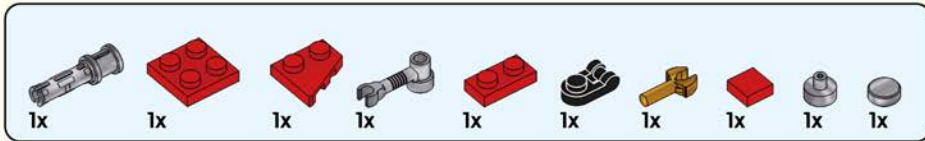
**08**



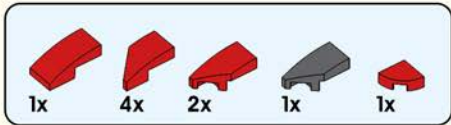
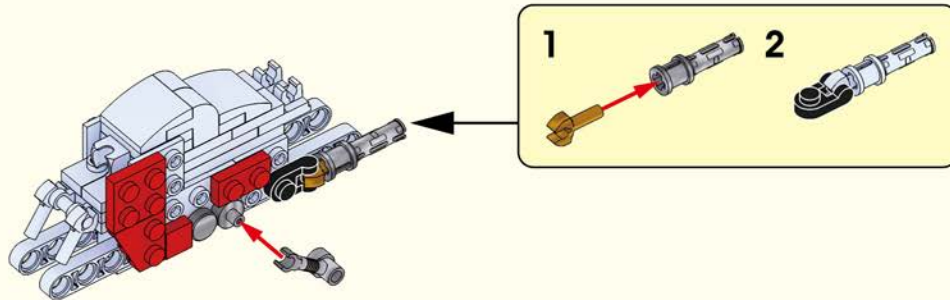
**09**



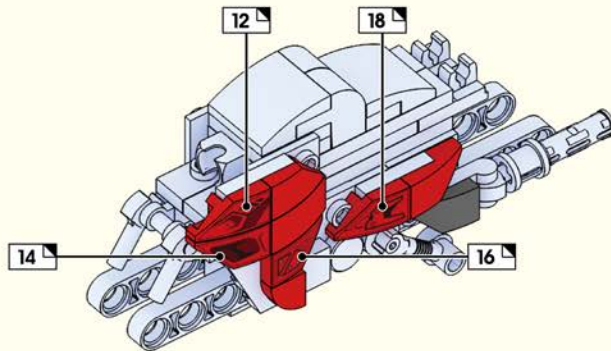


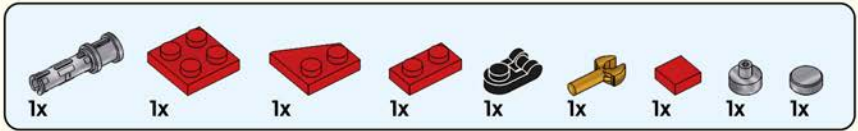


10

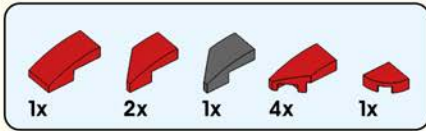
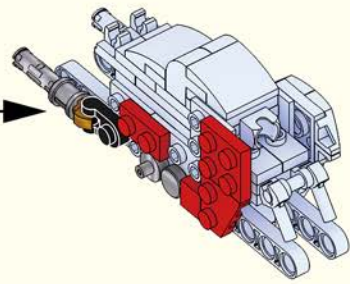
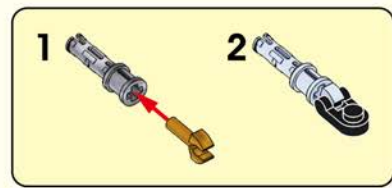


11

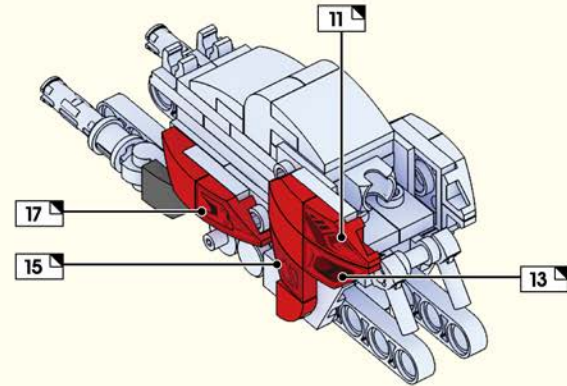


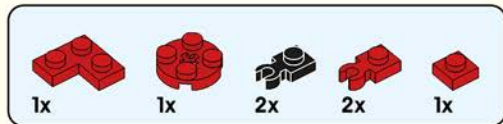


# 12

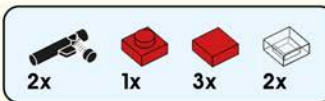


# 13

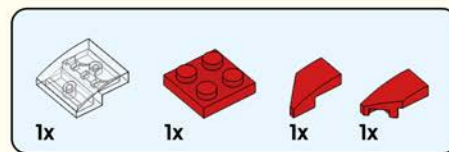




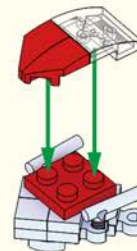
| 14 |



| 15 |

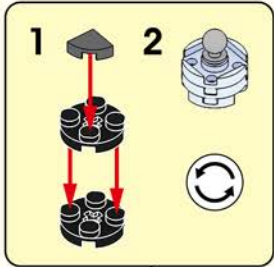


| 16 |

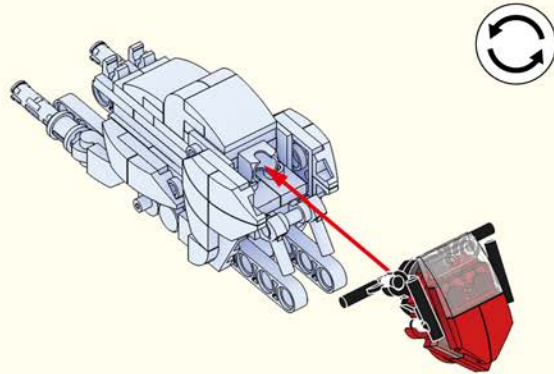


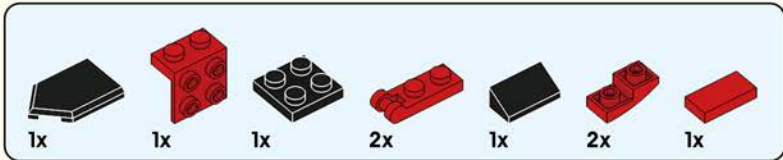


| 17 |

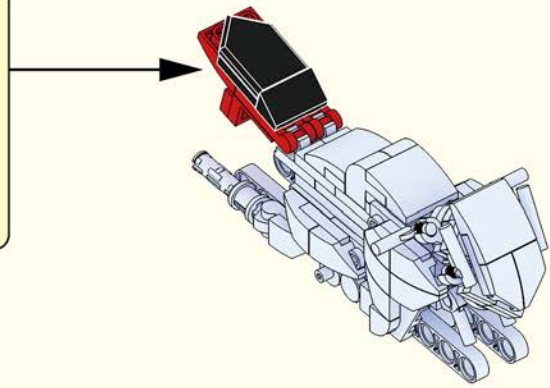
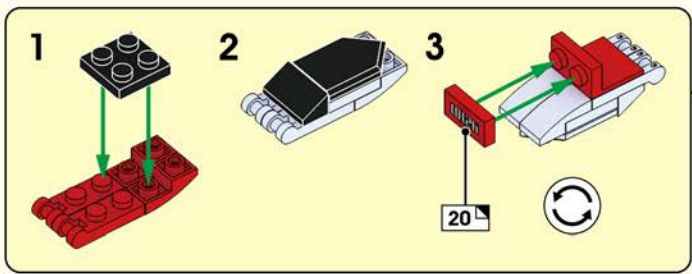


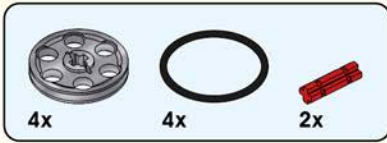
| 18 |



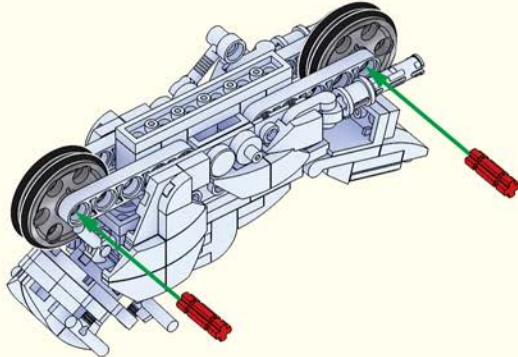
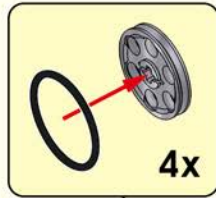


# 19

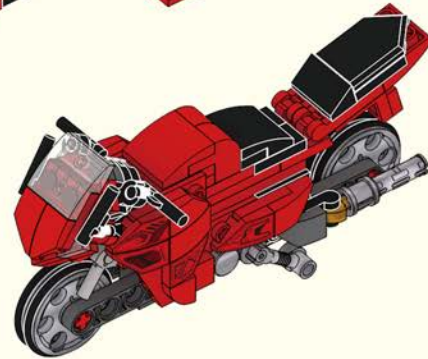
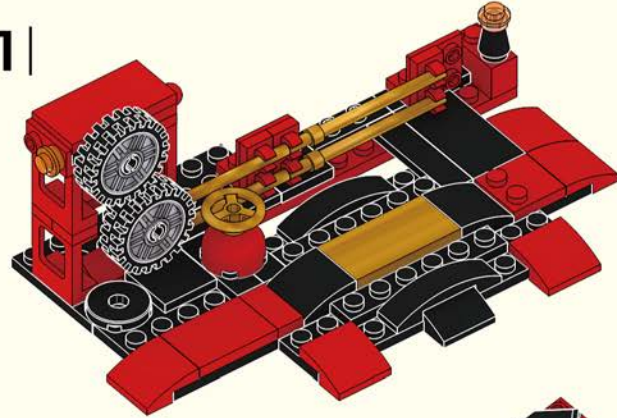




| 20 |



| 21 |

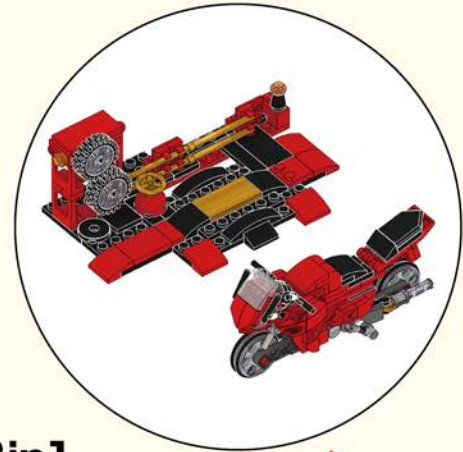
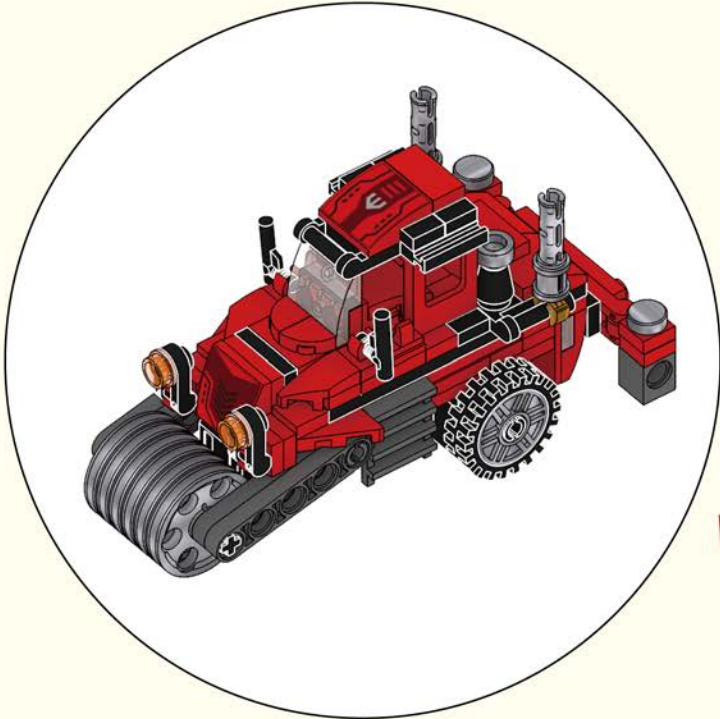


39

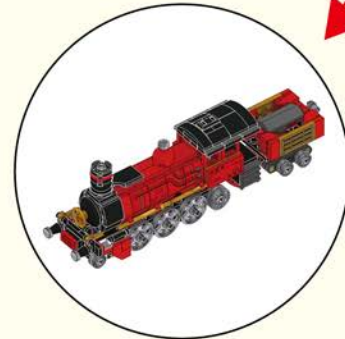
| ONLINE [www.educiro.com](http://www.educiro.com) |

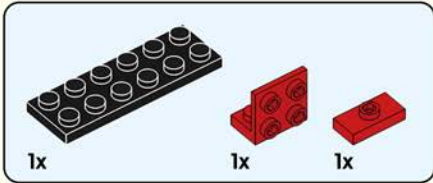
Customer Service [support@educiro.com](mailto:support@educiro.com)

# 3 THIRD FORM

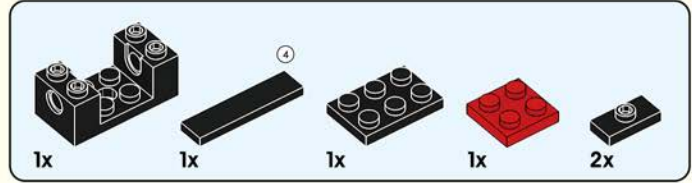
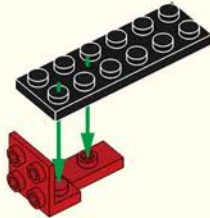


3in1  
Transforms

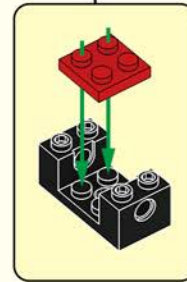
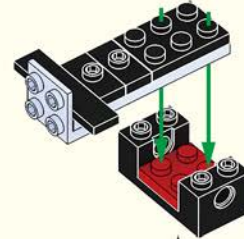




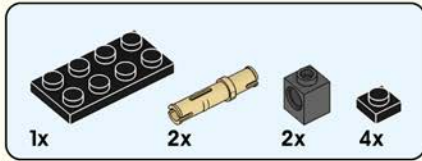
| 01 |



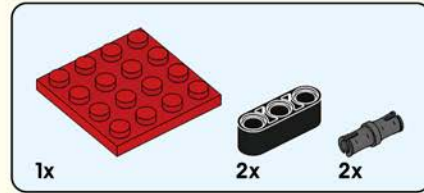
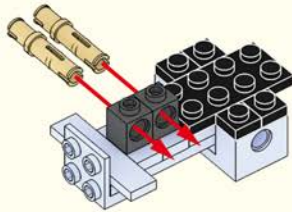
| 02 |



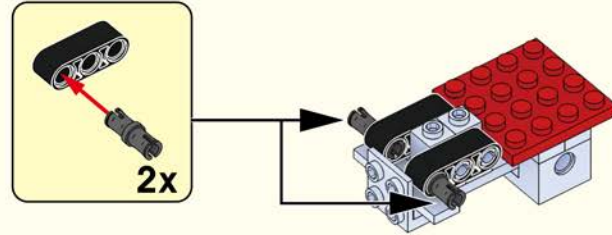


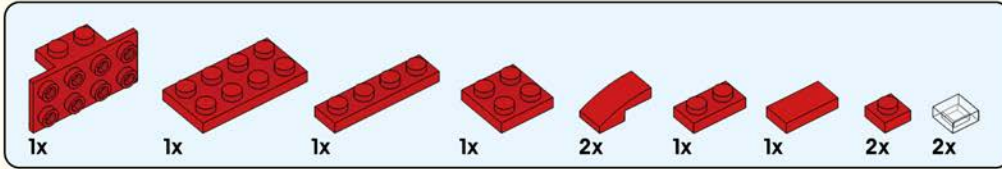


| 03 |

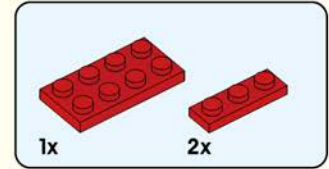
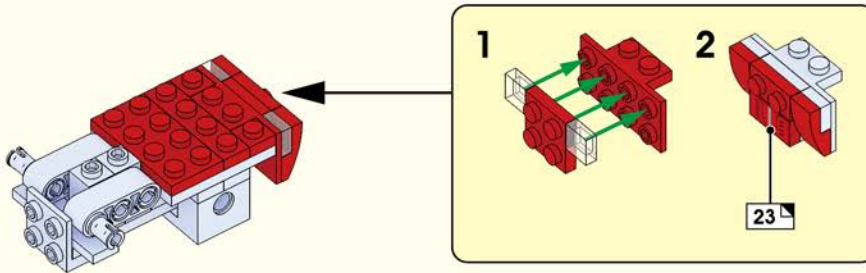


| 04 |

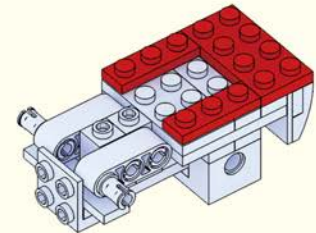


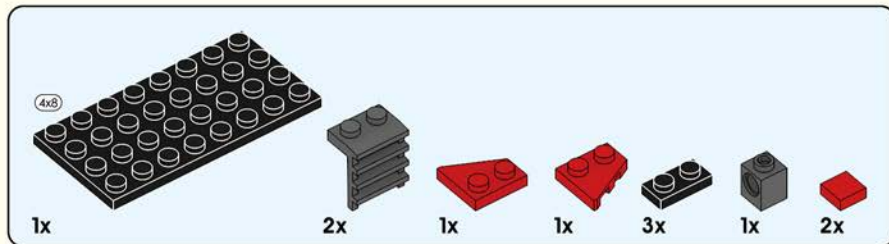


**|05|**

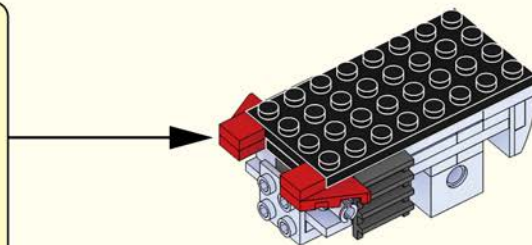
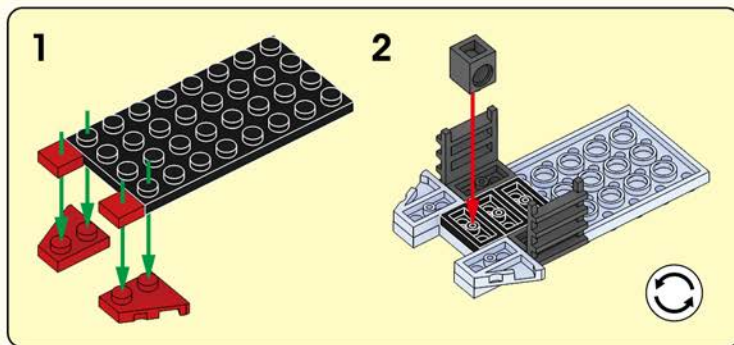


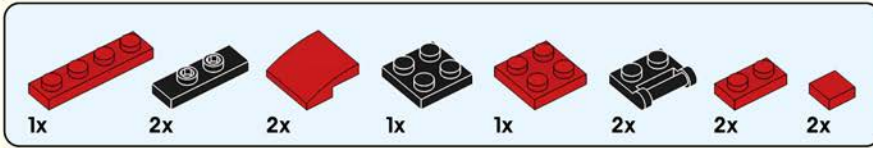
**|06|**



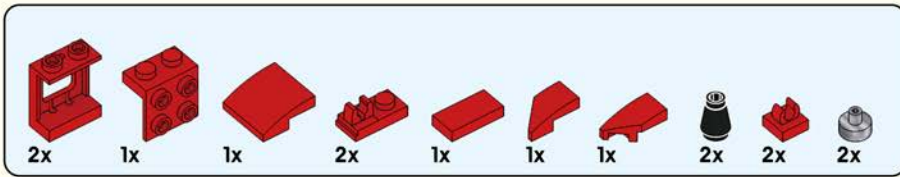
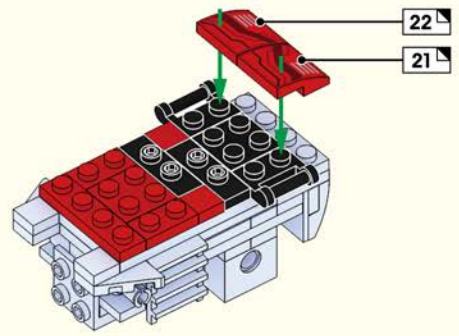


**| 07 |**

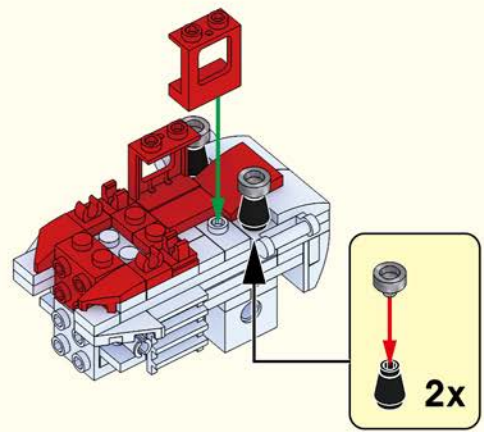


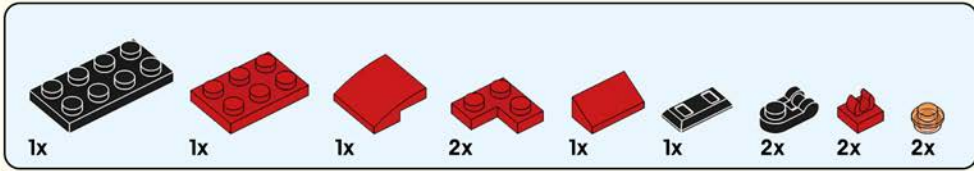


**08**

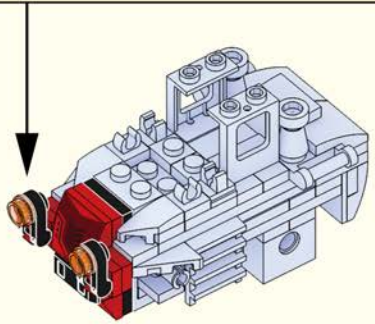
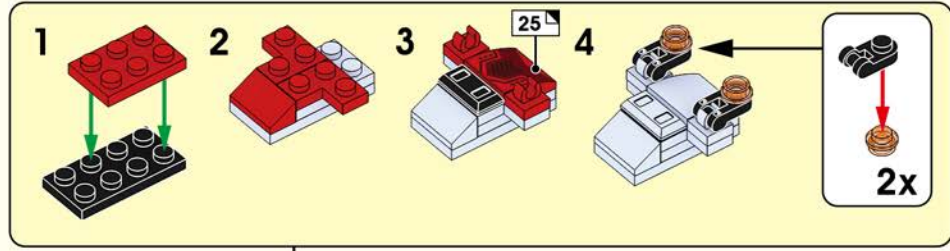


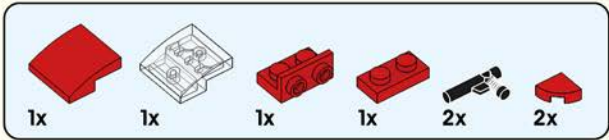
**09**



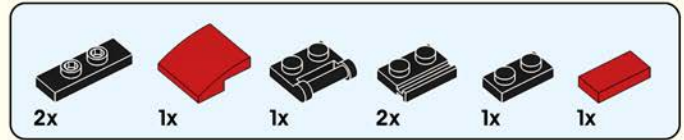
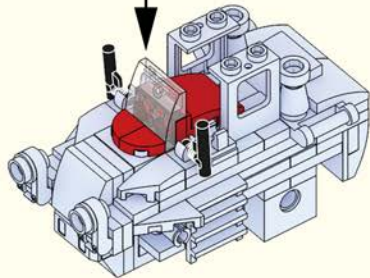
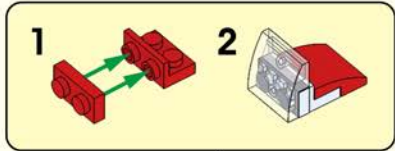


10

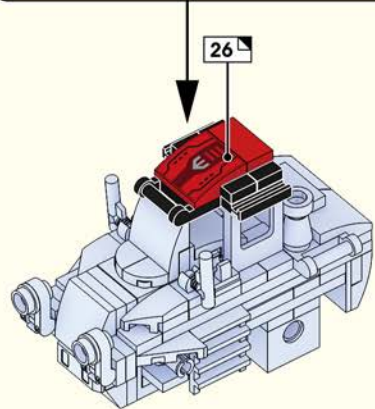
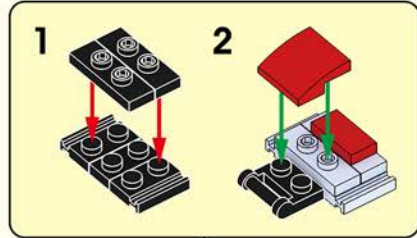


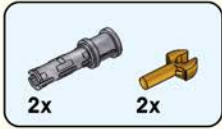


11

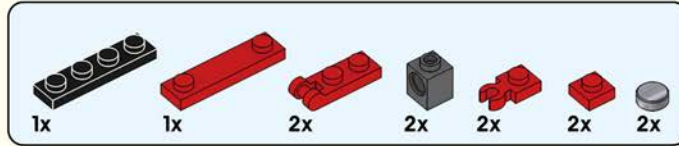
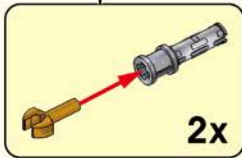
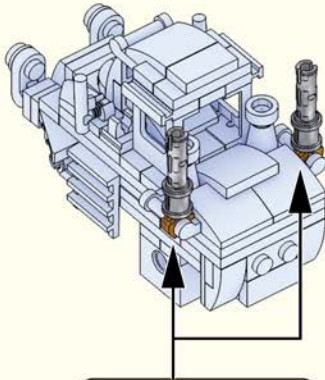


12

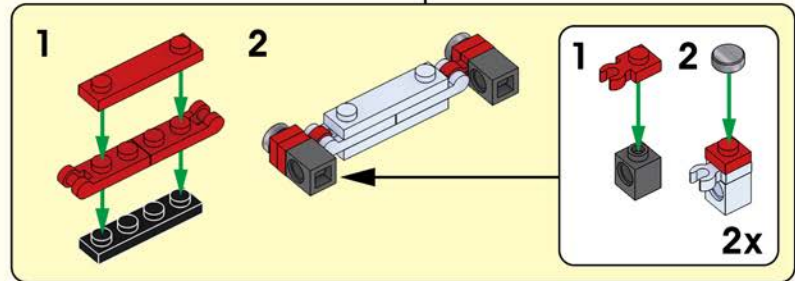
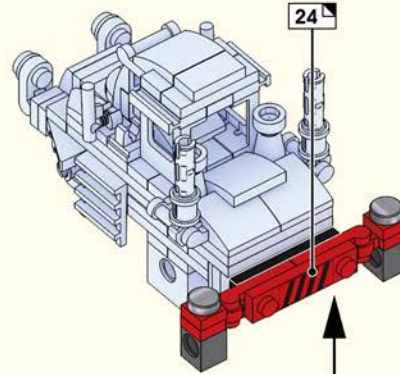




13



14



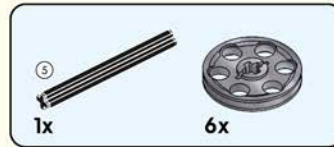
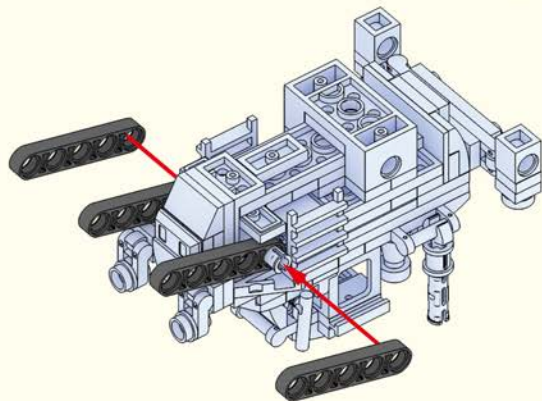
48

ONLINE [www.educiro.com](http://www.educiro.com)

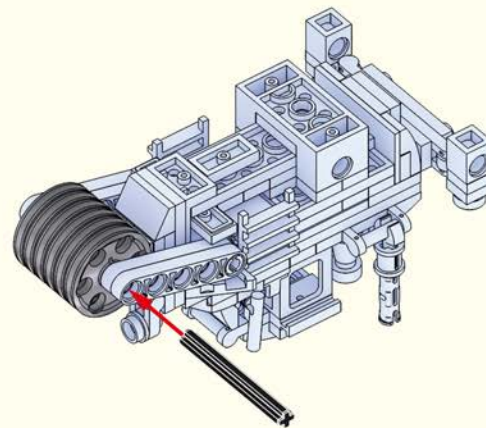
Customer Service [support@educiro.com](mailto:support@educiro.com)



| 15 |



| 16 |



49

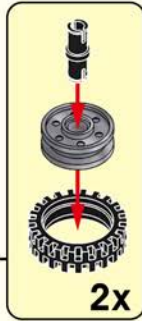
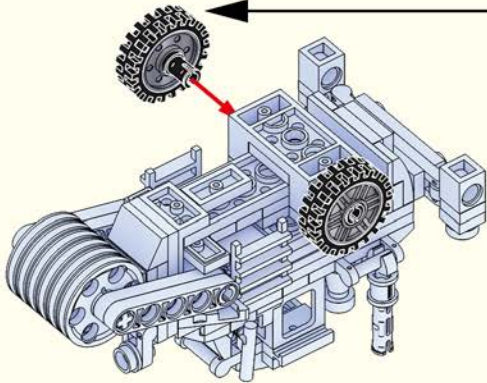
| ONLINE [www.educiro.com](http://www.educiro.com)

| Customer Service [support@educiro.com](mailto:support@educiro.com)

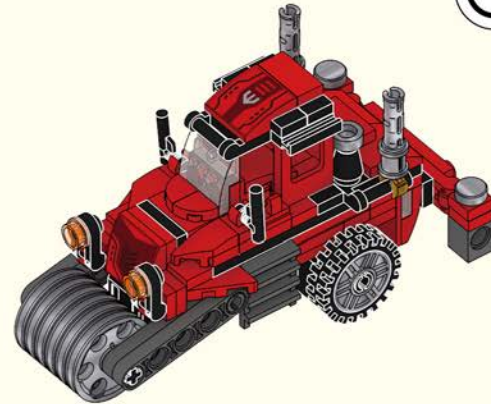




| 17 |



| 18 |





1x  
JXX00015-JX042



2x  
JX00124-JX042



1x  
JX00009-JX042



3x  
JX00025-JX042



1x  
JXX00488-JX042



1x  
JXX00396-JX042



2x  
JX00027-JX042



2x  
JX00031-JX042



2x  
JX00007-JX042



1x  
JX00034-JX042



4x  
JX00131-JX042



1x  
JX00100-JX042



2x  
JXX00501-JX042



1x  
JXX00692-JX042



2x  
JXX00573-JX042



4x  
JX042



1x  
JXX01435-JX042



2x  
JXX00261-JX042



4x  
JX00078-JX042



1x  
JXX00037-JX042



2x  
JXX00380-JX042



1x  
JXX00379-JX042



1x  
JX00068-JX042



1x  
JX00004-JX042



1x  
JXX01327-JX042



1x  
JXX00357-JX042



4x  
JXX00500-JX042



1x  
JXX00711-JX042



6x  
JXX01330-JX042



3x  
JXX00001-JX042



3x  
JX00248-JX042



7x  
JXX00004-JX042



2x  
JX00044-JX042



4x  
JXX00366-JX042



4x  
JX00022-JX042



4x  
JXX00324-JX042



1x  
JXX00655-JX042



6x  
JX0014A-JX042



8x  
JXX01206-JX042



2x  
JX00115-JX042



4x  
JXX00351-JX042



2x  
JXX01288-JX042



2x  
JX00112-JX042



4x  
JX00048-JX042



2x  
JXX00528-JX002



2x  
JXX00396-JX002



4x  
JXX00257-JX002



2x  
JXX00006-JX002



1x  
JXX00313-JX002



2x  
JXX00643-JX002





1x  
JX00015-JX033



1x  
JX00061-JX033



4x  
JX00256-JX033



2x  
JX00027-JX033



2x  
JX00396-JX033



2x  
JX00129-JX033



2x  
JX00801-JX033



1x  
JX00959-JX033



2x  
JX00034-JX033



2x  
JX00031-JX033



1x  
JX00314-JX033



4x  
JX00073B-JX033



1x  
JX00131-JX033



12x  
JX00500-JX033



6x  
JX00004-JX033



1x  
JX01327-JX033



2x  
JX00036-JX033



4x  
JX00257-JX033



1x  
JX01292-JX033



1x  
JX01291-JX033



4x  
JX00055-JX033



2x  
JX00014-JX033



2x  
JX01119-JX033



3x  
JX00258-JX033



1x  
JX00024-JX033



1x  
JX00037-JX033



1x  
JX00380-JX033



1x  
JX00337-JX033



2x  
JX00937-JX033



4x  
JX00324-JX033



2x  
JX00330-JX033



2x  
JX00259-JX033



4x  
JX00022-JX033



2x  
JX00044-JX033



5x  
JX00017-JX033



2x  
JX00210-JX033



1x  
JX00338-JX033



7x  
JX01289-JX033



7x  
JX01290-JX033



2x  
JX00115-JX033



2x  
JX00267-JX033



5x  
JX00047-JX033



5x  
JX00048-JX033



2x  
JX01155-JX033



6x  
JX01927-JX033



6x  
JX00499-JX009



2x  
JX00572-JX009



2x  
JX00270-JX009



1x  
JX00305-JX009



6x  
JX00179-JX009



2x  
JX00867-JX009



2x  
JX00356-JX009



1x  
JX01169-JX016





1x  
JX00003-JX022



1x  
JX01875-JX022



4x  
JX00796-JX022



2x  
JX00172-JX022



1x  
JX00029-JX022



1x  
JX00397-JX022



1x  
JX00044-JX022



1x  
JX01289-JX022



1x  
JX01290-JX022



4x  
JX00182-JX022



6x  
JX00348-JX022



2x  
JX00148-JX022



1x  
JX01155-JX022



1x  
JX00116-JX020



1x  
JX00756-JX020



2x  
JX00643-JX020



1x  
JX00500-JX067



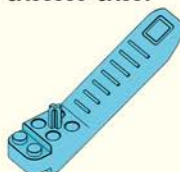
2x  
JX00047-JX067



2x  
JX01209-JX039



2x  
JX00006-JX059



1x  
JX02213-JX032



Searching “**EDUCIRO**” on Amazon shows all our products and discounts



B961 (305PCS)



B989 (375PCS)



B988 (553PCS)

**#1  
BEST  
SELLER**

The EDUCIRO building toys encourage 6+ years old kids to innovate and enjoy endless imaginative play as they plot stories around their models.

**NEW**

Searching "**EDUCIRO**" on Amazon shows all our products and discounts



B804 (447PCS)



B806 (409PCS)



B805 (461PCS)



B807 (452PCS)

The Dragon toy features a posable head, jaw, tail, legs and attack-mode wings for aerial battles.

**NEW**

# chemical plant

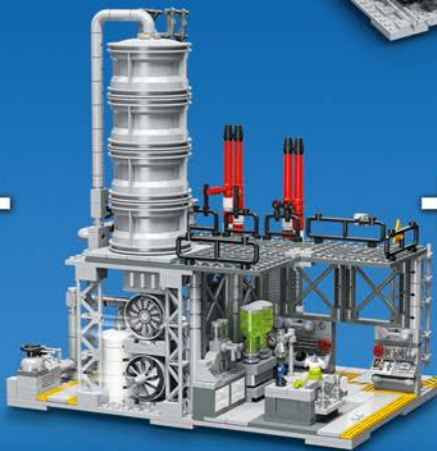
The Chemicals Plant MOC,  
Together, three models can build  
a complete chemical factory.

**3**  
IN  
EN



**B800 (677PCS)**

+



**B801 (696PCS)**

+



**B802 (700PCS)**



**NEW**

# Wizard World Moment



B965 (423 PCS)



B974 (486 PCS)



B967 (680 PCS)





**NEW**

# Wizard World Moment



8984 (389 PCS)



8986 (537 PCS)



8983 (494 PCS)

Combines easily with other **EDUCIRO Wizard World Moment** building sets.  
Sets sold separately and available for different periods of time.

**HOT**

# Wizard World Moment



B777 (871 PCS)

B975 (1423 PCS)

B976 (1072 PCS)

Expand the magic with other Magic Castle

**HOT**

# Wizard World Moment



B969 (714 PCS)

B970 (493 PCS)

B971 (638 PCS)

Searching "**EDUCIRO Wizard World Moment**"  
shows all our products and discounts

**COOL**

***Remote Control and APP ROBOT  
PLAY TOGETHER WITH YOUR FRIENDS!***



B883 (477PCS)



B886 (468PCS)

Searching "**EDUCIRO ROBOT**"  
shows all our products and discounts

**COOL**

**Remote Control and APP ROBOT  
PLAY TOGETHER WITH YOUR FRIENDS!**



B771 (405PCS)



B987(538PCS)

Searching **“EDUCIRO ROBOT”**  
shows all our products and discounts

**LIKE**

# FROZEN MAGIC WORLD



B774 (928 PCS)



B985 (356 PCS)



B998 (671 PCS)

FIND YOUR STRENGTH. FACE YOUR FEARS.

# IMPOSSIBLE PIRATE BOTTLE



B999 (924PCS)

The idea of Impossible Pirate Bottle comes from the ship in a bottle that originates from a traditional craft from the West. The miniaturised ship in the bottle is designed according to the shape of Queen Anne's Revenge. The ship base is added with pirate elements.

Searching "**EDUCIRO**" shows all our products and discounts

# EDUCIRO

## PARTS-SERVICE-REPAIR

Email: [support@educiro.com](mailto:support@educiro.com)

Website: [www.educiro.com](http://www.educiro.com)

Business Hours Mon: Sat. 9 a.m. to 6 p.m. (GMT+08:00)



**EN** 🏭 **MANUFACTURER:** Shantou Jiestar Toys Industry Co.,Ltd.  
**PLACE OF PRODUCTION:** Beilong Industrial Park,  
Guangyi Street, Chenghai District, Shantou,  
Guangdong, China  
**EMAIL:** [Info@g-p.hk](mailto:Info@g-p.hk)

**FR** 🏭 **FABRICANT:** Shantou Jiestar Toys Industry Co.,Ltd.  
**LIEU DE PRODUCTION:** Zone industrielle de Beilong,  
rue Guangyi, District de Chenghai, Shantou,  
Guangdong, Chine  
**COURRIEL:** [Info@g-p.hk](mailto:Info@g-p.hk)

Imported by: YEGG INC ADD: 213-37 39TH AVE NUM 239, BAYSIDE, NY11361  
Email: [info@g-p.hk](mailto:info@g-p.hk)

Imported by: Mondo Casa Di Lusai ADD: Via Limidi 1084, 41019 Soliera,  
Modena, Italy Email: [sales@uslccorp.com](mailto:sales@uslccorp.com) **[EU]REP**

Imported by: THINKFUN TOYS LTD ADD: 4 Tremlett Lane, Kesgrave, Ipswich,  
England, IP5 2DJ Email: [sales@uslccorp.com](mailto:sales@uslccorp.com) **[UK]REP**

## **ATTENTION:**

- EN** ⚠️ **WARNING:** CHOKING HAZARD-Small parts. Not for children under 3 years old. Packing must be retained since it contains important information.
- FR** ⚠️ **Avertissement:** Risque d'étouffement - petites pièces attachées à l'intérieur. Ne convient pas aux enfants de moins de 3 ans. Cette boîte contient des informations importantes, veuillez la conserver pour référence future.
- DE** ⚠️ **ACHTUNG:** Erstickungsgefahr - Kleinteile. Nicht für Kinder unter 3 Jahren. Bitte bewahren Sie die Packung für weitere Verwendung, die enthält wichtige Informationen und Warnhinweise.
- ES** ⚠️ **Advertencia:** Peligro de asfixia - piezas pequeñas unidas en el interior. No apto para niños menores de 3 años. Esta caja contiene información importante, por favor guárdela para futuras referencias.
- IT** ⚠️ **Avvertenza:** Pericolo di soffocamento - montaggio di piccole parti che non possono essere utilizzate da bambini di età inferiore a 3 anni. Questo pacchetto contiene informazioni importanti e vi prego di riservarlo per futuri usi di riferimento.
- JP** ⚠️ **注意事項:** 窒息の危険があります。小さい部品がありますので、三歳以下の子供に適用する玩具でございません。パッケージには重要な情報がありますので、参考するため、しっかり保存してください。