

! NOTICE:

All instructions, warranties and other collateral documents are subject to change at the sole discretion of SOYEE TOYS. For up-to-date product literature, visit www.soyeeglobal.com and click on the support tab for this product.

Definitions

The following terms are used throughout the product literature to indicate various levels of potential harm when operating this product:

NOTICE: Procedures, which if not properly followed, create a possibility of physical property damage AND little or no possibility of injury.

CAUTION: Procedures, which if not properly followed, create the probability of physical property damage AND a possibility of serious injury.

WARNING: Procedures, which if not properly followed, create the probability of property damage, collateral damage, and serious injury OR create a high probability of superficial injuries.

! WARNING:

Read the ENTIRE instruction manual to become familiar with the features of the product before operating. Failure to operate the product correctly can result in damage to the product, personal property and cause serious injury. This is a sophisticated hobby product and NOT a toy. It must be operated with caution and common sense and requires some basic mechanical ability. Failure to operate this Product in a safe and responsible manner could result in injury or damage to the product or other property. This product is not intended for use by children without direct adult supervision. Do not use with incompatible components or alter this product in any way outside of the instructions provided by SOYEE TOYS. This manual contains instructions for safety, operation and maintenance. It is essential to read and follow all the instructions and warnings in the manual, prior to assembly, setup or use, in order to operate correctly and avoid damage or serious injury.

! HINWEIS:

Alle Anleitungen, Gewährleistungen und weitere beiliegende Dokumente können von SOYEE TOYS jederzeit nach eigenem Ermessen geändert werden. Aktuelle Produktinformation finden Sie unter www.soyeeglobal.com und technische Unterstützung für dieses Produkt.

ERKLÄRUNG DER BEGRIFFE:

Die folgenden Begriffe werden in der gesamten Anleitung verwendet, um auf verschiedene Schadenspotenziale beim Betrieb dieses Produkts hinzuweisen.

HINWEIS: Wenn diese Verfahren nicht korrekt befolgt werden, können sich eine Möglichkeit für Sachschaden UND geringe oder keine Gefahr von Verletzungen ergeben.

ACHTUNG: Wenn diese Verfahren nicht korrekt befolgt werden, können sich die Wahrscheinlichkeit des Sachschadens UND die Gefahr von schwerer Verletzung ergeben.

WARNUNG: Wenn diese Verfahren nicht korrekt befolgt werden, können sich sehr wahrscheinlich Sachschaden und schwere Verletzungen ODER oberflächliche Verletzungen ergeben.

! WARNING:

Lesen Sie die GESAMTE Bedienungsanleitung, um sich vor dem Betriebe mit den Produktfunktionen vertraut zu machen. Wenn das Produkt nicht korrekt betrieben wird, kann es zur Schäden des Produkts oder persönliches Eigentums oder schwerer Verletzungen führen. Dies ist ein anspruchsvolles Hobby und kein Spielzeug. Es muss mit Vorsicht und gesundem Menschenverstand betrieben werden und Sie benötigen beim Betrieb gewisse mechanische Grundfähigkeiten. Wenn Sie dieses Produkt nicht auf eine sichere und verantwortungsvolle Weise betreiben, kann es zu Verletzungen oder Schäden am Produkt oder anderem Sachschäden führen. Versuchen Sie nicht auf jegliche Weise ohne Anweisungen von SOYEE TOYS, das Produkt mit inkompatiblen Komponenten zu verwenden oder das Produkt zu zerlegen. Diese Bedienungsanleitung enthält Anweisungen für Sicherheit, Betrieb und Wartung. Es ist unbedingt notwendig, vor Zusammenbau, Einstellung oder Verwendung alle Anweisungen und Hinweis zu lesen und zu befolgen. Damit können Sie das Produkt korrekt zu bedienen und die Schäden oder schwere Verletzungen vermeiden.

! Remarque:

Toutes les instructions, garanties et autres documents de garantie sont sujets à la seule discrétion de SOYEE TOYS. Veuillez, pour une documentation produit bien à jour, visiter le site internet www.soyeeglobal.com.

Signification de certains termes spécifiques:

Les termes suivants servent, tout au long de la littérature produits, à désigner différents niveaux de blessures potentielles lors de l'utilisation de ce produit:

REMARQUE: procédures qui, si elles ne sont pas suivies correctement, peuvent entraîner des dégâts matériels ET éventuellement un faible risque de blessures.

ATTENTION: procédures qui, si elles ne sont pas suivies correctement, peuvent entraîner des dégâts matériels ET des blessures graves.

AVERTISSEMENT: procédures qui, si elles ne sont pas suivies correctement, peuvent entraîner des dégâts matériels, des dommages collatéraux et des blessures graves OU engendrer une probabilité élevée de blessure superficielle.

! AVERTISSEMENT :

Lisez la TOTALITE du manuel d'utilisation afin de vous familiariser avec les caractéristiques du produit avant de le faire fonctionner. Une utilisation incorrecte du produit peut avoir comme résultat un endommagement du produit lui-même, celui de propriétés personnelles voire entraîner des blessures graves.

Ceci est un produit de loisirs perfectionné et NON PAS un jouet. Il doit être manipulé avec prudence et bon sens et requiert quelques aptitudes de base à la mécanique. L'incapacité à manipuler ce produit de manière sûre et responsable peut provoquer des blessures ou des dommages au produit ou à d'autres biens. Ce produit n'est pas destiné à être utilisé par des enfants sans la surveillance directe d'un adulte. Ne pas essayer de désassembler le produit, de l'utiliser avec des composants incompatibles ou d'en améliorer les performances sans l'approbation de SOYEE TOYS. Ce manuel comporte des instructions de sécurité, d'utilisation et d'entretien. Il est capital de lire et de respecter toutes les instructions et avertissements du manuel avant l'assemblage, le réglage ou l'utilisation afin de le manipuler correctement et d'éviter les dommages ou les blessures graves.

! AVVISO:

Tutte le istruzioni, le garanzie e gli altri documenti pertinenti sono soggetti a cambiamenti a totale discrezione di SOYEE TOYS. Per una documentazione aggiornata sul prodotto, visitare il sito www.soyeeglobal.com e fare clic sulla sezione Support del prodotto.

Significato dei termini usati

Nella documentazione relativa al prodotto vengono utilizzati i seguenti termini per indicare i vari livelli di pericolo potenziale durante l'uso del prodotto:

AVVISO: indica procedure che, se non debitamente seguite, possono determinare il rischio di danni alle cose E il rischio minimo o nullo di lesioni alle persone.

ATTENZIONE: indica procedure che, se non debitamente seguite, determinano il rischio di danni alle cose E di gravi lesioni alle persone.

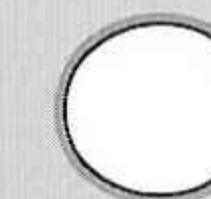
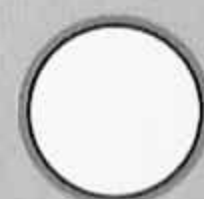
WARNING: indica procedure che, se non debitamente seguite, determinano il rischio di danni alle cose, danni collaterali e gravi lesioni alle persone O il rischio elevato di lesioni superficiali alle persone.

! AVERTISSEMENT :

Leggere TUTTO il manuale di istruzioni e familiarizzare con le caratteristiche del prodotto prima di farlo funzionare. Un uso improprio del prodotto può causare danni al prodotto stesso e alle altre cose e gravi lesioni alle persone. Questo modello è un prodotto sofisticato per appassionati di modellismo. Deve essere azionato in maniera attenta e responsabile e richiede alcune conoscenze basilari di meccanica. L'uso improprio o irresponsabile di questo prodotto può causare lesioni alle persone e danni al prodotto stesso o alle altre cose. Questo prodotto non deve essere utilizzato dai bambini senza la diretta supervisione di un adulto. Non tentare di smontare, utilizzare componenti incompatibili o modificare il prodotto in nessun caso senza previa approvazione di SOYEE TOYS. Questo manuale contiene le istruzioni per la sicurezza, l'uso e la manutenzione del prodotto. È fondamentale leggere e seguire tutte le istruzioni e le avvertenze del manuale prima di montare, impostare o utilizzare il prodotto, al fine di utilizzarlo correttamente e di evitare di causare danni alle cose o gravi lesioni alle persone.

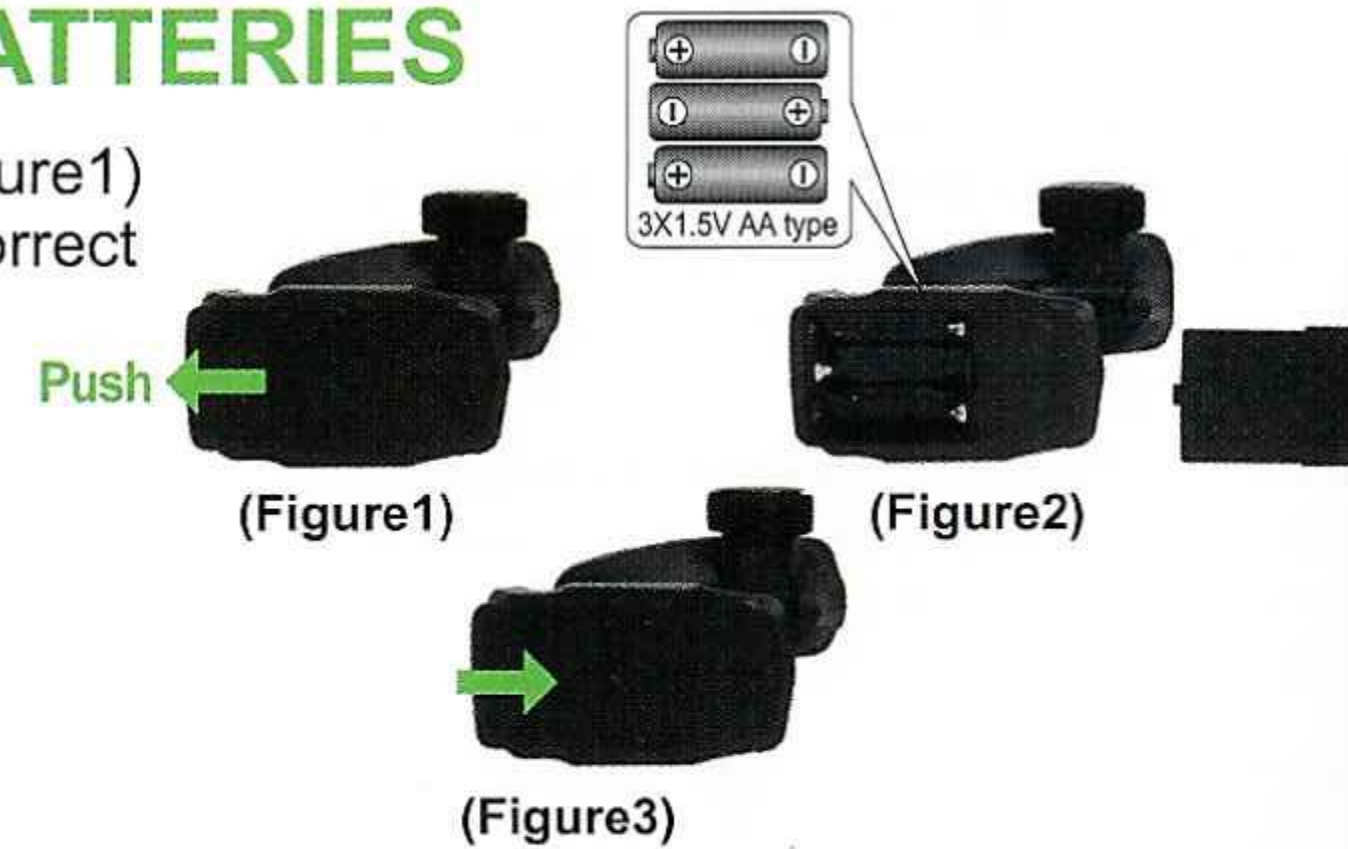
SAFETY PRECAUTIONS AND WARNINGS

- Please read all the instructions in the manual carefully before use. Failure to follow the instructions will be considered abuse and/or neglect and may void the warranty.
- This is not a toy. It is not suitable for children under 14 years old.
- Never operate your model with low batteries.
- Please operate your vehicle in a spacious area. Never operate your vehicle in a crowded area.
- Never put any portion of the model in your mouth as it could cause serious injury or even death. Keep small parts out of the reach of children.
- Do not touch the moving parts, as this may cause damage or serious injury.
- Do not touch the motor and/or battery immediately after using your model. You may burn yourself.
- Your vehicle is radio controlled. Radio waves are subject to interference. It can cause loss of control of your vehicle.
- Never operate your vehicle in max speed. Doing so may injure you, others or damage your vehicle.
- Always turn on the vehicle first, then the transmitter. Always power off the transmitter before turning off the vehicle.



3. INSTALLING TRANSMITTER BATTERIES

1. Slide and remove the battery compartment cover. (Figure1)
2. Install 3×1.5V AA alkaline batteries(not included) in correct polarities. (Figure 2)
3. Replace the battery compartment. (Figure 3)

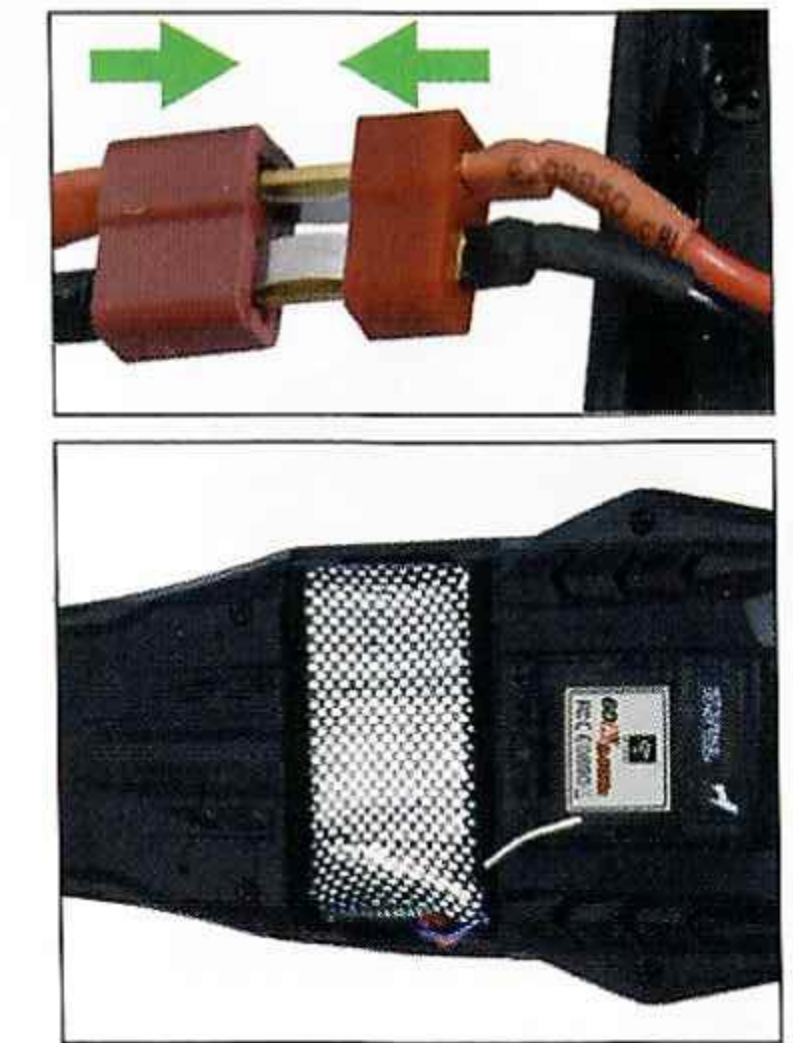
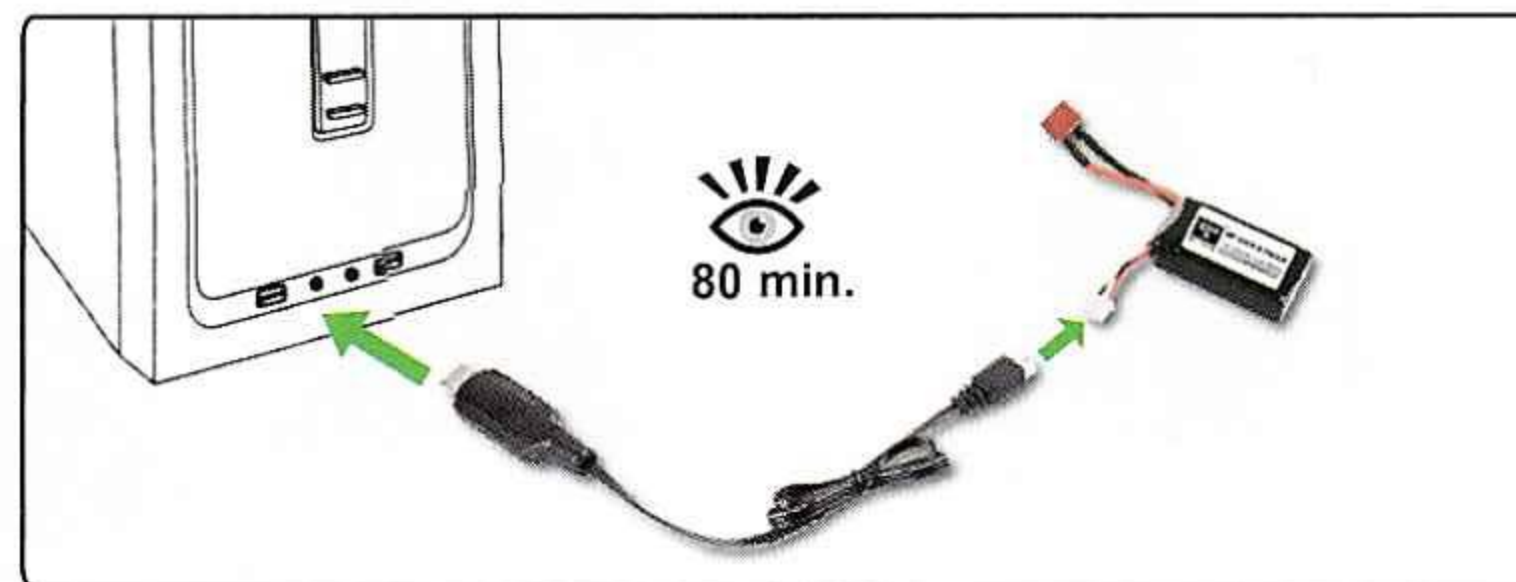


⚠NOTICE:

1. Never mix different types of batteries.
2. Never mix the new batteries with old ones.
3. Always remove exhausted batteries.
4. Always keep batteries out of reach of children.

4. CHARGING AND INSTALLING RECHARGEABLE BATTERY PACK

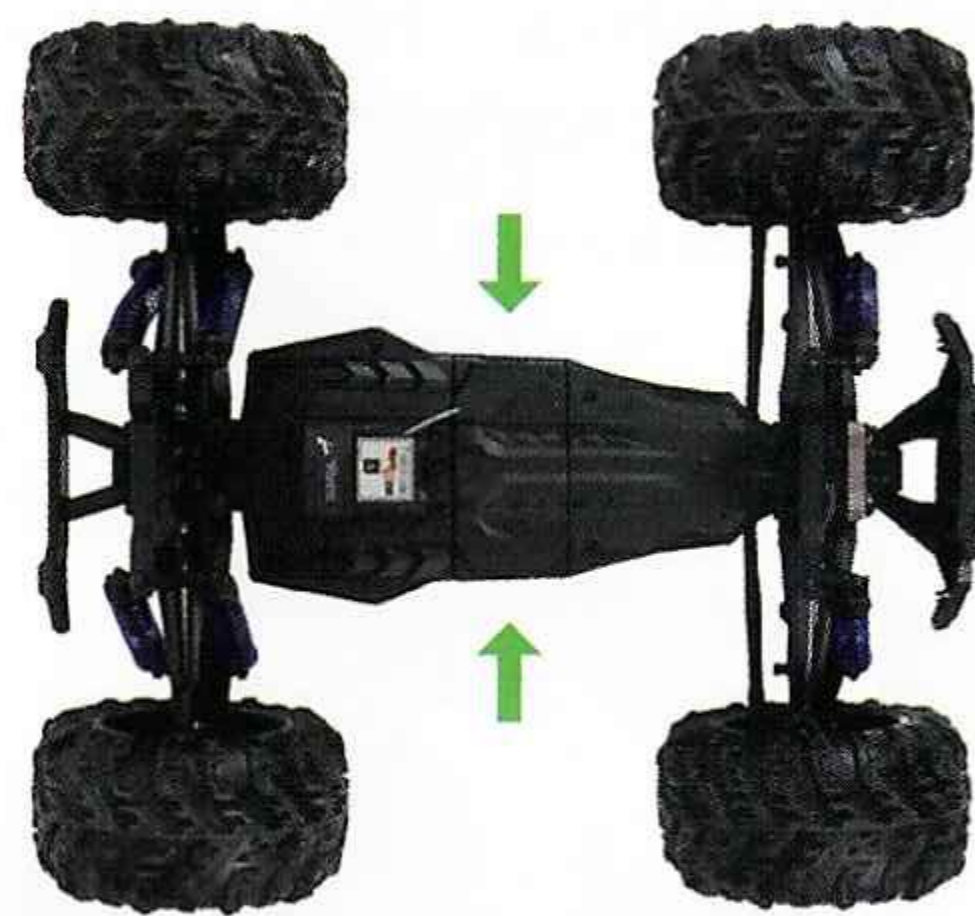
- (1). a) Plug the USB charging cable into the outlet, note the power indicator turns red.
b) Connecting the battery with the USB charging cable, note the GREEN indicator keeps flashing, indicating the battery is charging.
c) Flashing GREEN indicator will turn solid once charging process is completed.
- (2). Note the battery compartment lies on the chassis. Press both side of the battery compartment cover then remove it.



- (3). Connect the battery pack to the vehicle in correct polarity. Then put the battery into the battery compartment.



- (4). Replace the battery compartment cover.



5. CHARGER/BATTERY PACK/CIRCUIT BOARD PRECAUTIONS

1. Always connect the battery in correct polarity. See as below:



2. Never leave the battery and charger unattended.

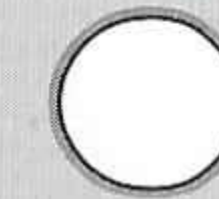
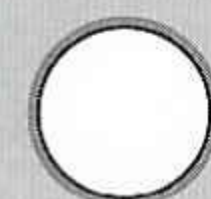
Keep away from fires to avoid explosion or injury.

3. To prevent the lithium-ion battery pack from being overcharged, which could lead to damage or explosion, the charger uses a voltage limit protection device.

And to maintain the battery pack's charging capacity and performance, we suggest not charging the battery continuously for over 24 hours.

4. The battery uses a low voltage and power over-discharge protection device. When the battery is over-discharged, a re-charge is required to activate the battery again. It is recommended that you remove the battery and turn the switch to OFF position when the car is not being used.

5. The circuit board uses overheating protection function. When the circuit board is overheated, the car will become disabled (not moving forward/backward) for 3-6 seconds before being restored.



6. TRANSMITTER INSTRUCTIONS



ENG
1. Forward
2. Brake
3. Left
4. Right
5. Backwards

DE
1. Vorwärts
2. Bremse
3. Link
4. Recht
5. rückwärts

IT
Avanti
Freno
Sinistra
Destra
Indietro

FR
1. Avancer
2. Frein
3. Gauche
4. Droite
5. Reculer



ESP
1. Avance
2. Freno
3. Izquierda
4. Derecha
5. Marcha atras

PT
1. Avancar
2. Freio
3. Esquerda
4. Direita
5. Retroceder



A. ON/OFF Switch
B. Steering Trim
C. Steering Dual Rate Adjustment
D. Steering Reverse Switch
E. Speed Mode(Full Speed and Half Speed Mode)
F. Indicator Light

7. CONTROLLING THE VEHICLE

1 TURN ON YOUR VEHICLE



Remove the car body, note the ON/OFF switch lies on the chassis. Turn on the vehicle, indicator light on the vehicle will flash, then reinstall the car's body.

2 TURN ON THE TRANSMITTER

Turn on the transmitter, your vehicle is bound with your transmitter automatically.



⚠ Notice:

- Turn on transmitter, RED indicator will flash. Both the RED & Blue indicators on the transmitter will turn solid once binding process is successful.
- Blue indicator will flash when the transmitter is in low battery. In this case, please replace batteries before further use.
- Never touch the throttle during binding process, this may lead to malfunction of the vehicle.
- Please power off the vehicle and the transmitter and repeat the binding process again if it is not successful.

3 CHECK STEERING PERFORMANCE

- Ensure good steering performance.



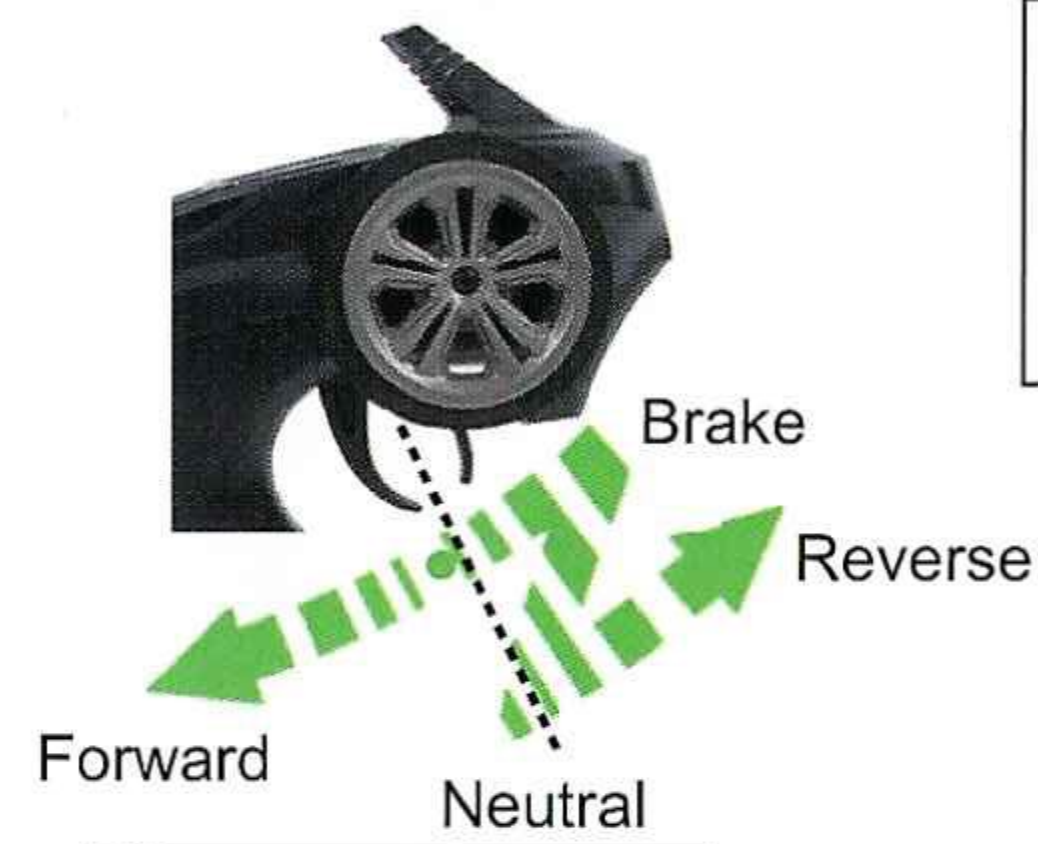
1) To keep the vehicle running in a straight line, do not move the steering wheel. (Keep it central)

2) Turn it left to allow your vehicle turn to left.

3) Turn it right to allow your vehicle turn to right.



4 CHECK TRIGGER RESPONSE



A Pull the trigger back to accelerate, the vehicle will go forward; release it to decelerate and push it forwards to brake.
 B To stop running your vehicle, release the trigger to Neutral.
 C Push the trigger forwards again, your vehicle will reverse.

5 STEERING TRIM

• Tune the steering trim to make the vehicle track straight without steering wheel.



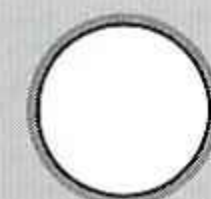
When the truck is turning left, ST.TRIM should be adjusted clockwise.
 When the truck is turning right, ST.TRIM should be adjusted anticlockwise.

6 STEERING DUAL RATE ADJUSTMENT

• ST.D/R is used to adjust the amount the front wheels move when the steering wheel is turned left or right.



Turning ST.D/R clockwise to increase the steering amount, the maximum angle is 48°.
 Turning ST.D/R anticlockwise to reduce the steering amount, the minimum angle is 10°.



7 STEERING REVERSE SWITCH

• Allow you to change the direction of steering.



8 SPEED MODE (FULL SPEED MODE AND HALF SPEED MODE)

• Allow you to change the speed of the vehicle.



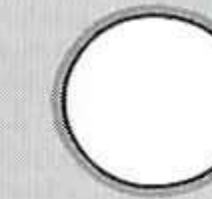
Switch on H: Full speed mode (about 30mph)
 Switch on L: Half speed mode (about 15mph)

Notice:

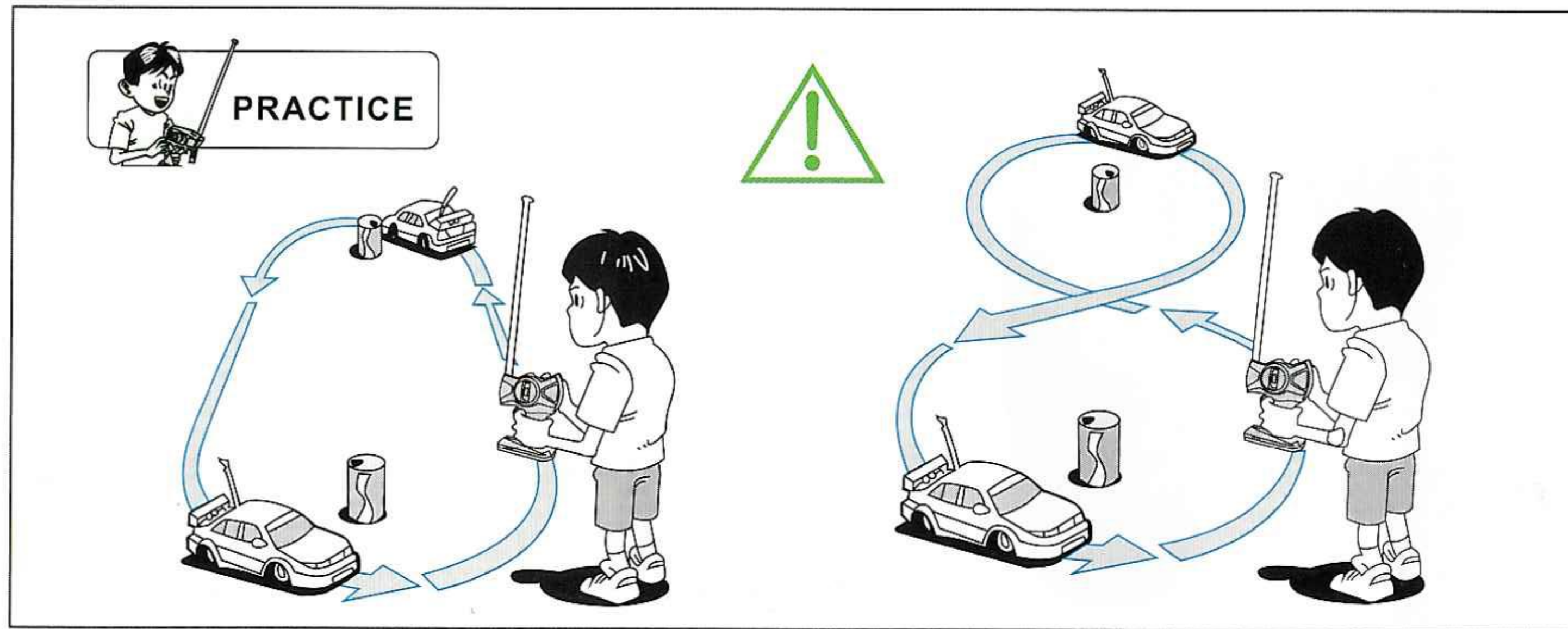
- Factory settings on all cars is half speed mode (L). Please set it to full speed mode (H) when you need a high speed experience.
- For beginners, kindly suggest using half speed mode (L) to avoid damaging the car, kindly suggest using half speed mode (L) to avoid damaging the car.

8. INSTALLING THE TRUCK BODY

Put the clips in and install the body.



9. RUNNING PRACTICE



- Please understand the buttons' functions on the equipment and controlling methods before running;
- Try to practice first on a circular track, as shown in the picture above.
- Keep practising until you can control the steering, throttle and brakes at low speeds. After the circular track you can try an "8"- shaped track.
- Once you've mastered all the basic controls, try to speed up and begin using more difficult controls to enhance your experience.

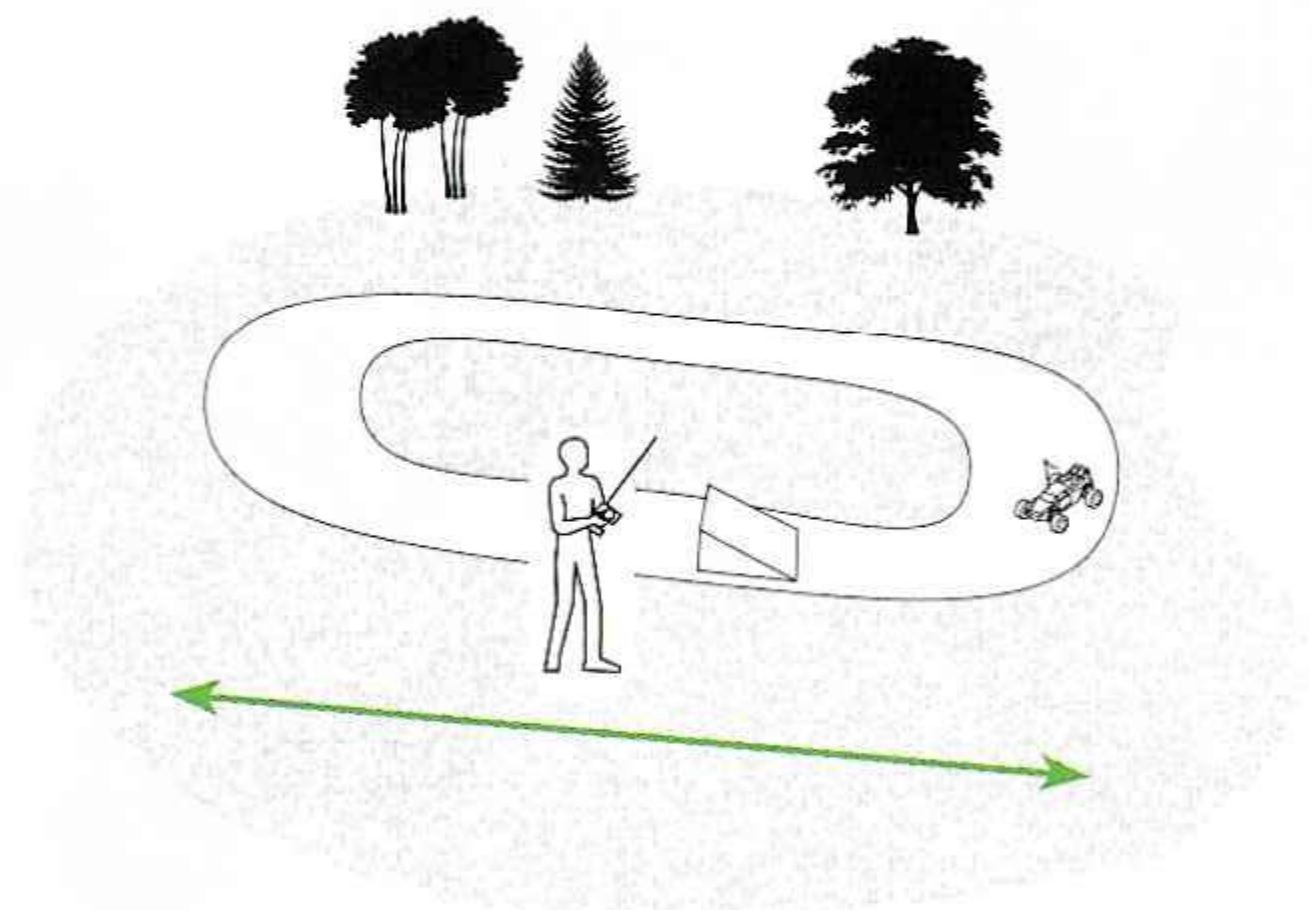
NOTE: Please run your vehicle at low speeds during practise, to avoid crashes.

10. OPERATION

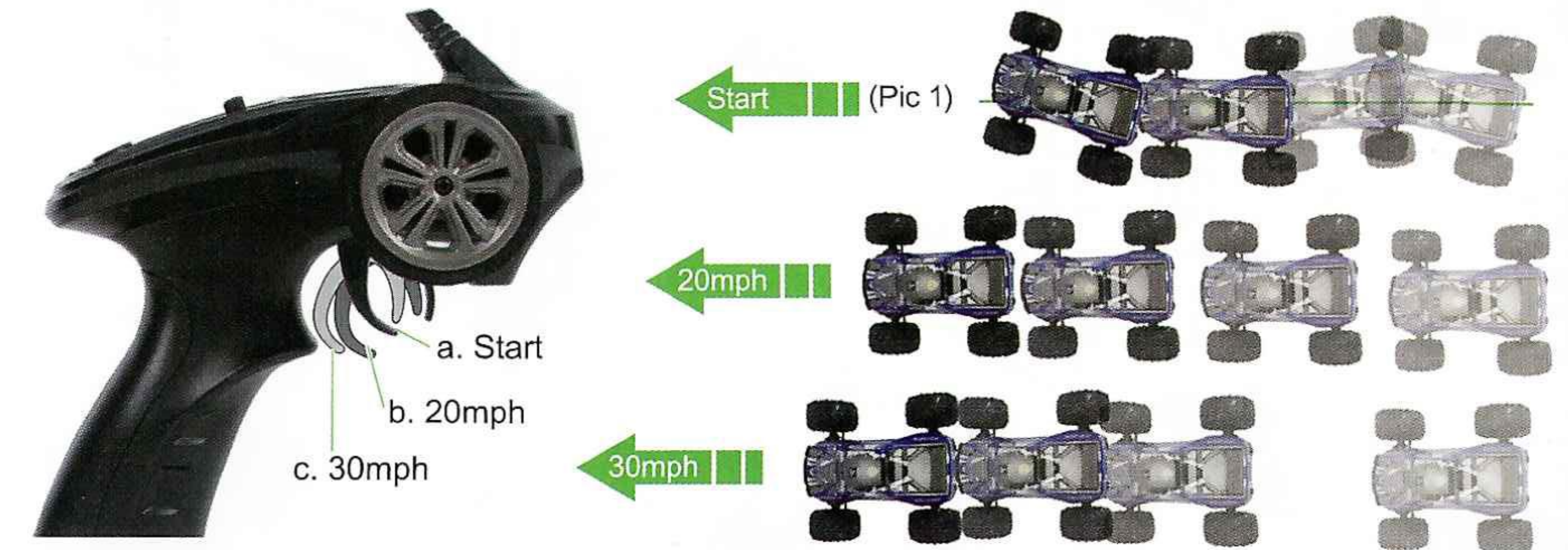
1. ALWAYS turn on the vehicle first, then the transmitter. Always power off the transmitter before the vehicle.



2. Always operate your vehicle in wide open areas. Using it on slippery surfaces or indoors may cause crashes because of the high speeds.



3. Always start with low speeds or the vehicle may drift out of control. (as shown on Pic 1) NEVER operate your vehicle in max speed. Operating the vehicle in highest speed may hurt yourself and damage your vehicle. If your vehicle is damaged, please visit: www.soyeeglobal.com to buy spare parts and replacements.



MOTOR CARE


- Seat the motor brushes by driving smoothly on a flat surface during use of the first battery charge. Failing to do so can greatly reduce motor performance and functional life.
- Prolong motor life by preventing overheating conditions. Undue motor wear results from frequent turns, stops and starts, pushing objects, driving into deep water and tall grass, and driving continuously up hill.

11. SPARE PARTS LIST

		
No. 920- SJ01	No. 920- SJ03	No. 920- SJ04
Product Name truck body	Product Name car shell bracket	Product Name front bumper block
Specifications	Specifications	Specifications
Quantity 1X1	Quantity 1X2	Quantity 1X1
Remarks	Remarks	Remarks
		
No. 920- SJ05	No. 920- SJ06	No. 920- SJ07
Product Name rear bumper block	Product Name front upper arm	Product Name rear upper arm
Specifications	Specifications	Specifications
Quantity 1X1	Quantity 1X2	Quantity 1X2
Remarks	Remarks	Remarks
		
No. 920- SJ08	No. 920- SJ09	No. 920- SJ10
Product Name front lower arm	Product Name rear lower arm	Product Name front steering cup
Specifications	Specifications	Specifications
Quantity 1X2	Quantity 1X2	Quantity 1X2
Remarks	Remarks	Remarks



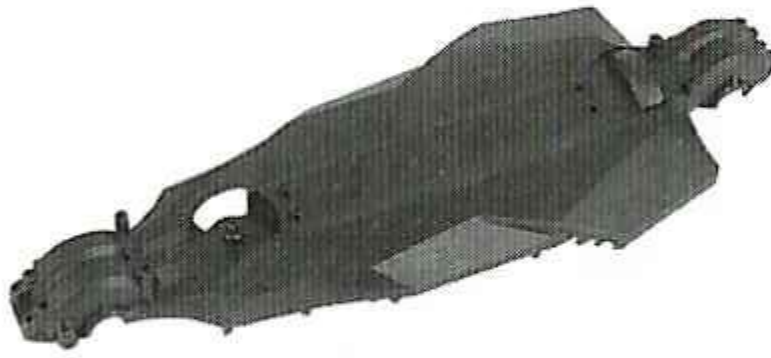
No.	920-SJ11
Product Name	rear knuckle
Specifications	
Quantity	1X2
Remarks	



No.	920-SJ12
Product Name	shock proof plank
Specifications	
Quantity	1X2
Remarks	



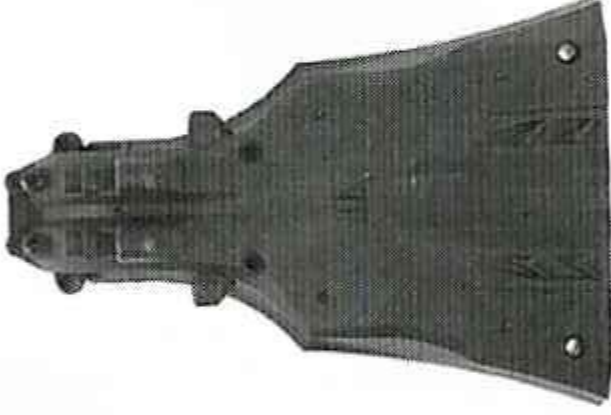
No.	920-SJ13
Product Name	Connecting rod
Specifications	
Quantity	1X3
Remarks	includes steering ball head




No.	920-SJ14
Product Name	car chassis
Specifications	
Quantity	1X1
Remarks	



No.	920-SJ15
Product Name	battery compartment
Specifications	
Quantity	1X1
Remarks	




No.	920-SJ16
Product Name	front cover
Specifications	
Quantity	1X1
Remarks	



No.	920-SJ17
Product Name	rear cover
Specifications	
Quantity	1X1
Remarks	



No.	920-SJ18
Product Name	battery cover
Specifications	
Quantity	1X1
Remarks	



No.	920-ZJ01
Product Name	steering arm set
Specifications	
Quantity	1X1
Remarks	



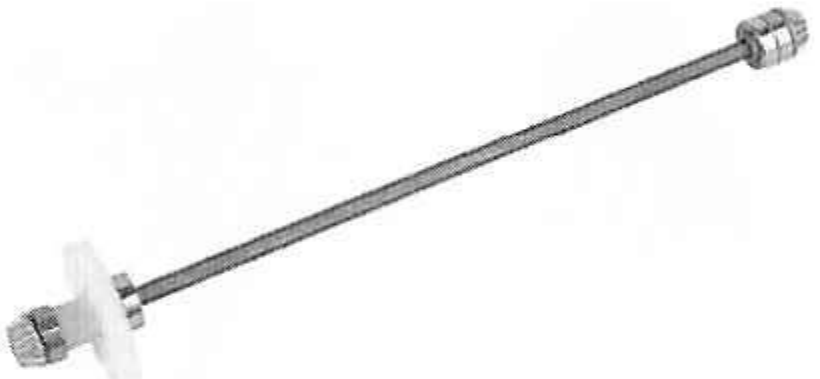
No.	920-ZJ02
Product Name	tire
Specifications	
Quantity	1X2
Remarks	with sponge inserts



No.	920-ZJ03
Product Name	shock absorbers
Specifications	
Quantity	1X2
Remarks	



No.	920-ZJ04
Product Name	5 wires servo
Specifications	
Quantity	1X1
Remarks	



No.	920-ZJ05
Product Name	main drive shaft assembly
Specifications	
Quantity	1X1
Remarks	




No.	920-ZJ06
Product Name	differential
Specifications	
Quantity	1X1
Remarks	



No.	920-ZJ07
Product Name	electronic speed controller
Specifications	
Quantity	1X1
Remarks	



No.	920-ZJ08
Product Name	2.4G transmitter
Specifications	
Quantity	1X1
Remarks	



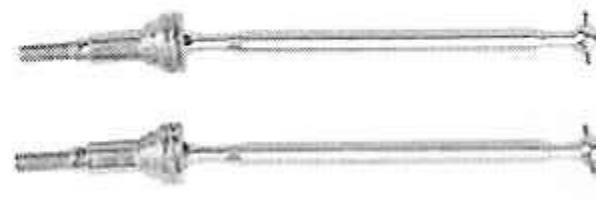
No.	920-ZJ09
Product Name	aluminum alloy wheel hub hex
Specifications	
Quantity	1X4
Remarks	



No.	920-WJ01
Product Name	arm connector set
Specifications	
Quantity	1X3
Remarks	




No.	920-WJ02
Product Name	locknut
Specifications	
Quantity	1X4
Remarks	




No.	920-WJ03
Product Name	front cvd drive shaft set
Specifications	
Quantity	1X2
Remarks	



No.	920-WJ04
Product Name	transmission cup
Specifications	
Quantity	1X2
Remarks	




No.	920-WJ05
Product Name	rear dogbone
Specifications	
Quantity	1X2
Remarks	




No.	920-WJ06
Product Name	clip
Specifications	
Quantity	1X8
Remarks	



No.	920-WJ07
Product Name	motor fasteners
Specifications	
Quantity	1X1
Remarks	



No.	920-WJ08
Product Name	shaft
Specifications	
Quantity	1X2 / 1X2
Remarks	with sponge inserts




No.	920-WJ09
Product Name	hexagon nut wrench
Specifications	
Quantity	1X1
Remarks	



No.	911-WJ09
Product Name	bearing
Specifications	6.3 x 9.5 x 3
Quantity	1X4
Remarks	




No.	911-WJ10
Product Name	bearing
Specifications	8 x 13 x 3.5
Quantity	1X4
Remarks	



No.	920-LS01
Product Name	round-headed screw
Specifications	2.6x10pbho
Quantity	1X10
Remarks	



No.	920-LS02
Product Name	round-headed screw
Specifications	2.6X13.5pbho
Quantity	1X10
Remarks	




No.	911-LS08
Product Name	round-headed screw
Specifications	2.3x16pbho
Quantity	1X10
Remarks	



No.	911-LS09
Product Name	round-headed screw
Specifications	2.6x7pbho
Quantity	1x10
Remarks	



No.	911-LS10
Product Name	countersunk head screw
Specifications	2.6x8kbho
Quantity	1x10
Remarks	



No.	911-LS12
Product Name	round-headed screw
Specifications	2.6x20pbho
Quantity	1x10
Remarks	



No.	911-LS14
Product Name	round-headed screw
Specifications	2.5x6x5pbwmo
Quantity	1x10
Remarks	




No.	911-LS16
Product Name	round-headed screw
Specifications	3x31pmho
Quantity	1x4
Remarks	




No.	911-LS17
Product Name	round-headed screw
Specifications	3x36pmho
Quantity	1x4
Remarks	



No.	920-DJ01
Product Name	390motor
Specifications	
Quantity	1X1
Remarks	includes gear



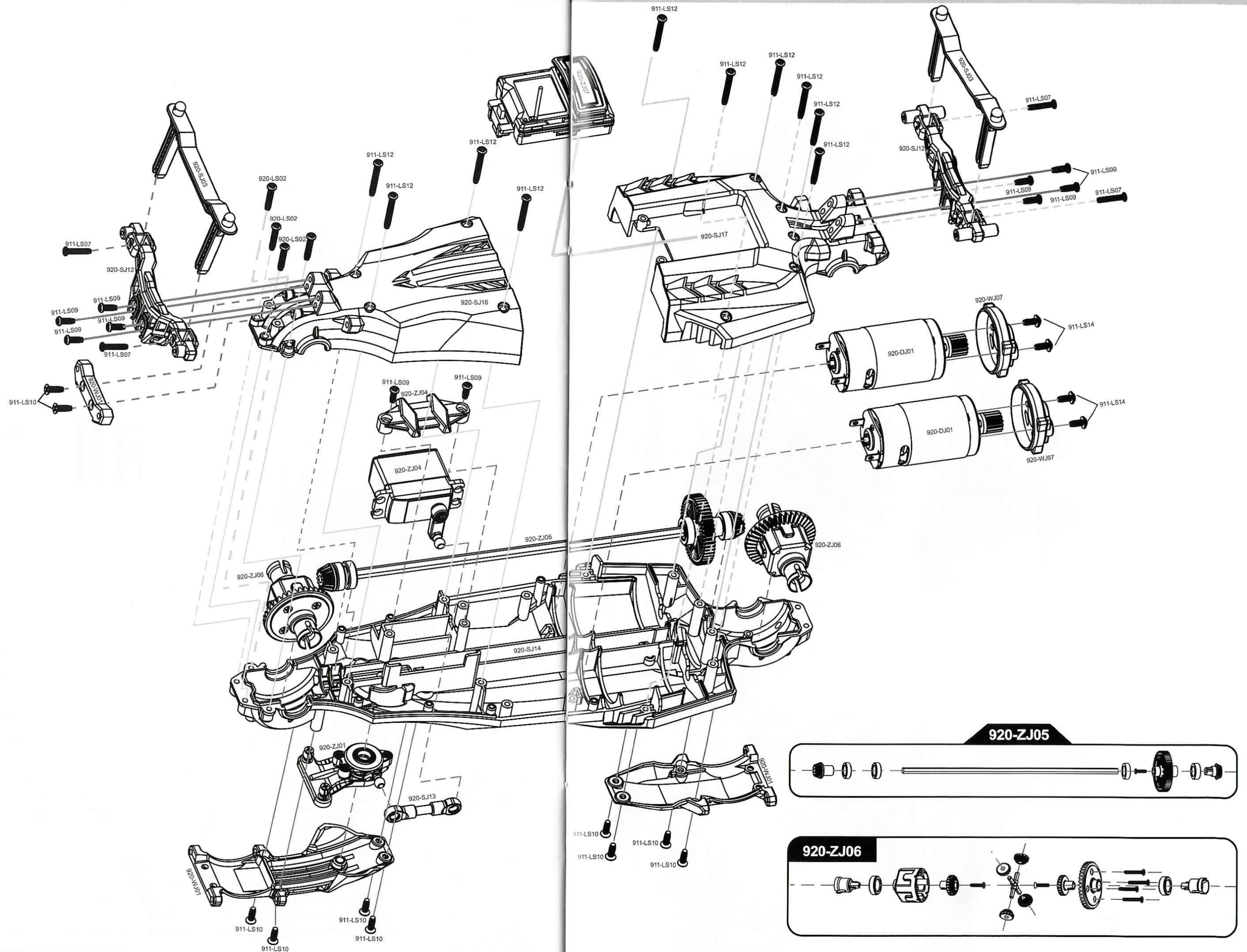
No.	920-DJ02
Product Name	Li-po battery
Specifications	7.4V 1600mAh
Quantity	1X1
Remarks	

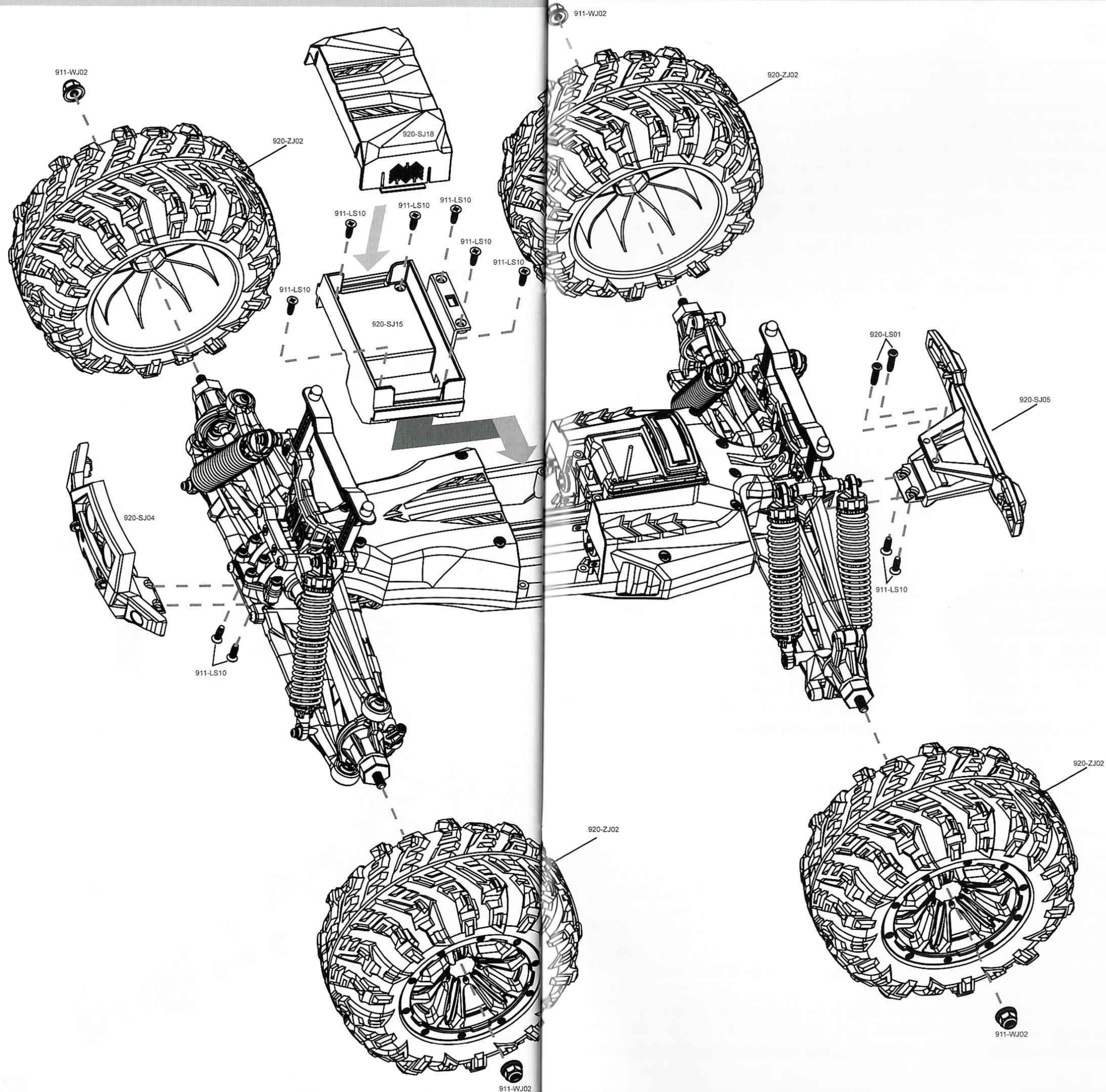


No.	30-DJ04
Product Name	USB charging cable
Specifications	
Quantity	1X1
Remarks	

Notice:

- For buying spare parts of JUDGE EXTRME S920 truck or further information about SOYEE TOYS, please visit our official website: www.soyeeglobal.com.
- SOYEE TOYS official website offers instructions to help you to replace spare parts and solve your product problem. SOYEE TOYS is here for you.
- CE/UL/GS/BS/PSE approval charger also available for JUDGE EXTRME S920.





TROUBLESHOOTING

Problem	Possible Cause	Solution
Short run time	<ul style="list-style-type: none"> Battery damaged/not charged Motor dirty or brushes worn 	<ul style="list-style-type: none"> Check/change battery Check/clean/replace
Sluggish action	<ul style="list-style-type: none"> Motor dirty or brushes worn Bind in drivetrain Vehicle battery is not charged 	<ul style="list-style-type: none"> Check/clean/replace Clean/adjust Replace/recharge
Does not operate	<ul style="list-style-type: none"> Transmitter batteries low Transmitter powered off Vehicle battery is not charged 	<ul style="list-style-type: none"> Replace/recharge Power On Replace/recharge
Poor range	<ul style="list-style-type: none"> Low transmitter batteries Receiver antenna damaged 	<ul style="list-style-type: none"> Replace/recharge Check/repair/replace
The system will not Connect	<ul style="list-style-type: none"> Transmitter and receiver too close to large metal objects (vehicles, etc..) Receiver accidentally put in bind mode so receiver is no longer bound 	<ul style="list-style-type: none"> Move away from large metal objects (vehicles, etc.) Rebind transmitter and receiver
The receiver quits responding During operation	<ul style="list-style-type: none"> Low battery voltage 	<ul style="list-style-type: none"> Completely recharge battery
Receiver loses its bind	<ul style="list-style-type: none"> Transmitter accidentally put in bind mode, ending bind to receiver 	<ul style="list-style-type: none"> Bind transmitter to receiver

FC FCC PART 15 B Notice

CAUTION:

Changes or modifications not expressly approved by the party responsible for compliance could void the user's authority to operate the equipment.

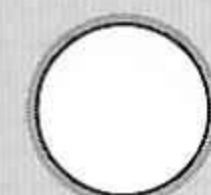
NOTE:

This equipment has been tested and found to comply with the limits for a class B digital devices, pursuant to part 15 of the FCC Rules. These limits are designed to provide reasonable protection against harmful interference in a residential installation. This equipment generates, uses and can radiate radio frequencies energy and, if not installed and used in accordance with the instructions, may cause harmful interference to radio communications. However, there is no guarantee that interference will not occur in a particular installation. IF this equipment does cause harmful interference to radio or television reception, which can be determined by turning the equipment off and on, the user is encouraged to try to correct the interference by one or more of the following measures:

- Reorient or relocate the receiving antenna.
- Increase the separation between the equipment and receiver.
- Connect the equipment into an outlet on a circuit different from that to which the receiver is connected.
- Consult the dealer or experienced radio/TV technician for help.

This device complies with part 15 of the FCC Rules. Operation is subject to the following two conditions:

- (1) this device may not cause harmful interference, and
- (2) this device must accept any interference received, including interference that may cause undesired operation.



CE Compliance for Users in the European Union

WEEE Compliance:

Please help the environment by disposing of your product responsibly at the end of its life. The wheeled bin symbol indicates that this product should not be disposed of in your household waste containers. Instead, the product should be disposed of by using a designated collection point for the recycling of waste electrical and electronic equipment. The Waste of Electrical and Electronic Equipment (WEEE) Directive (2002/96/EC) requires that the best available recycling techniques be employed to minimize the impact on the environment. Recycling electronics helps by keeping harmful chemicals out of the environment, and also saves money by reusing precious metals. Remove any batteries and dispose of them and the product at your local authority's recycling facility. For more information about where you can drop off your waste equipment for recycling, please contact your local city office, your household waste disposal service or the location where you purchased this product.

Limited 90-Day Warranty

SOYEE TOYS warrants to the original consumer that this product is free from any electrical or mechanical defects for a period of 90 DAYS from the date of purchase. The consumer should first try to resolve any product issues with the retailer where the purchase was made. If any such defect is discovered within the warranty period, and the retailer is not able to provide any assistance or product support, SOYEE TOYS will repair or replace the unit free of charge upon receipt of the unit. Electronic components consist of radio system (transmitter, receiver, servos, switches, AC charge, adapters, and receiver battery holders) and other electronic component. The warranty covers normal consumer use and does not cover damage that occurs in shipment or failure that results from alternations, accident, misuse, abuse, neglect, wear and tear, inadequate maintenance, commercial use or unreasonable use of the unit. Removal of any parts/components voids all warranties. This warranty does not cover cost of repair made or attempted outside by third-party individuals or companies. Any applicable implied warranties, including warranties of merchantability and fitness, are hereby limited 90 DAYS from the date of purchase. Consequential or incidental damages resulting from a breach of any applicable express or implied warranties are hereby excluded. Some states do not allow limitations on the duration of implied warranties and do not allow exclusion of incidental or consequential damages, so the above limitations and exclusion in these instances may not apply.

REPAIR/REPLACE PRODUCT

If your product begins to malfunction or stop working, immediately email our warranty center at the email listed below. If it is determined that a return is necessary, our warranty department will issue you a RMA number and an address to the nearest return center for shipping the product to.

IMPORTANT NOTICE: We will reject all returns that are not accompanied by an issued RMA number so make sure to contact our warranty center before attempting to return your product.

PREPARATION FOR SHIPPING YOUR PRODUCT

Please repack your product in a durable box, preferably in the original carton, and send it back, and adequately insured. Include the RMA number that was issued by

